



MAY 2025 V.23

LIST PRODUCTS



Aluminum Frames



Brackets



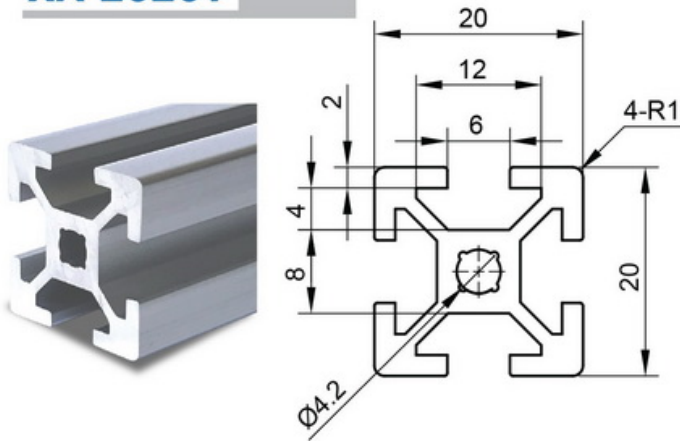
Nuts



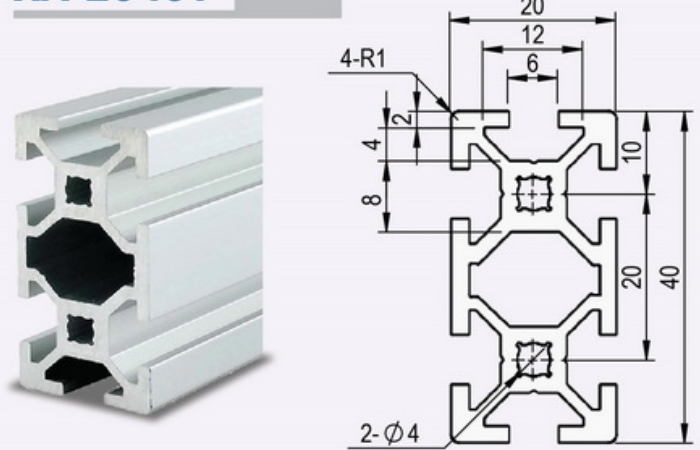
End Cap



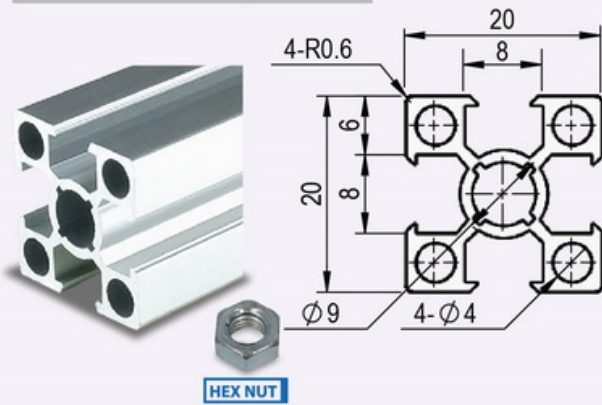
XA-2020T



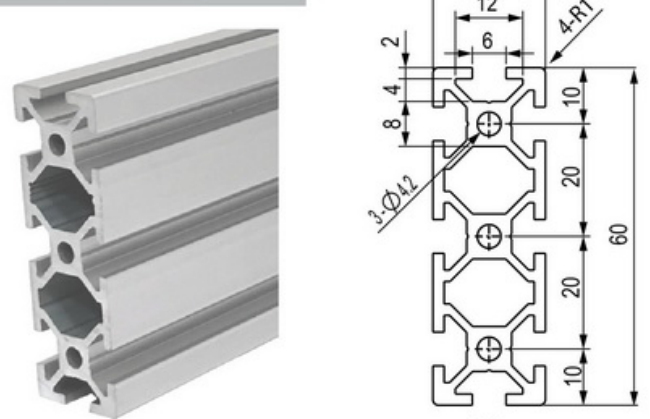
XA-2040T



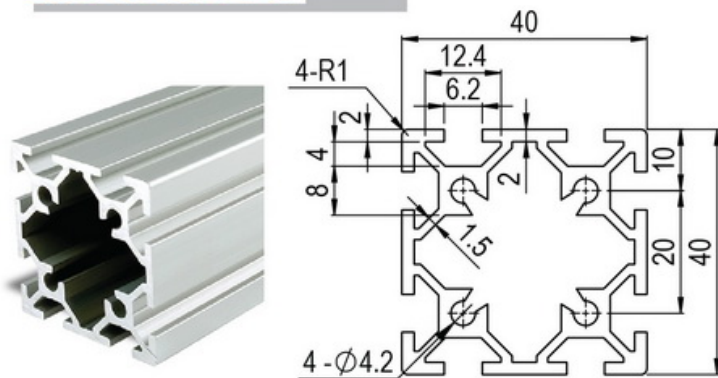
XA-2020H



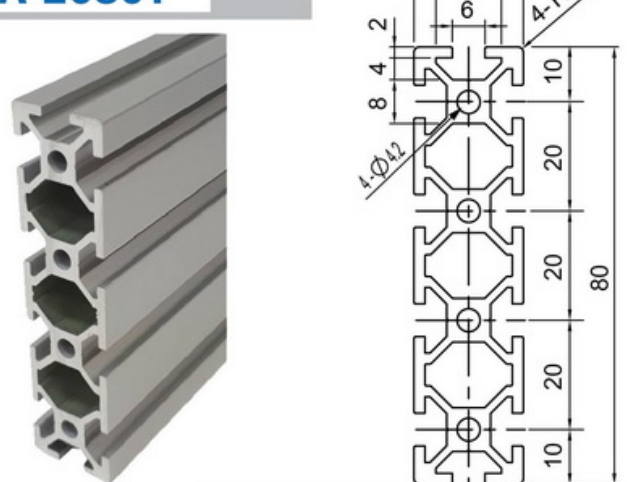
XA-2060T



XA-4040T-2S



XA-2080T



Specified Length Frames

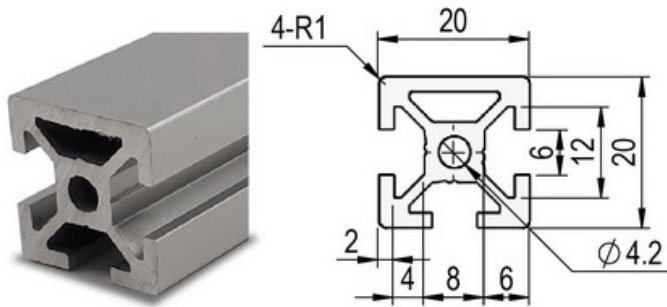
Part number	Max Length (mm)	Mass (kg/m)	Material	Surface
XA-2020T	6000	0.50	A6063-T5	Clear, Black Anodize
XA-2020H		0.42		
XA-4040T-2S	4000	1.28		Clear Anodize
XA-2040T		0.88		
XA-2060T		1.26		
XA-2080T		1.60		

Ordering Example

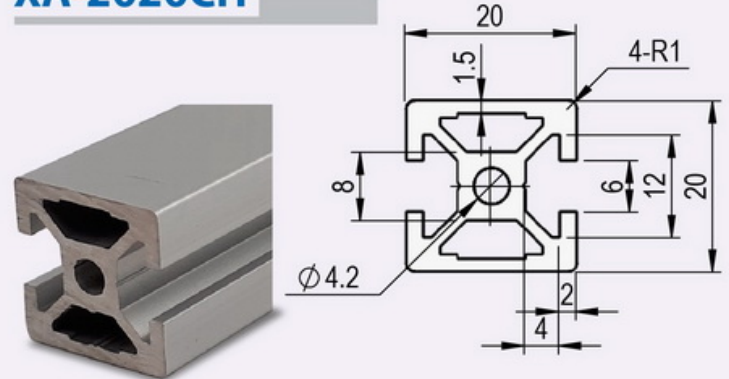
Part Number - L
XA-2020T - 850

Delivery 1 Day

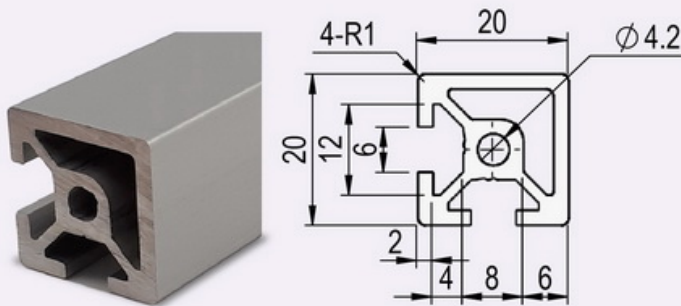
XA-2020CT



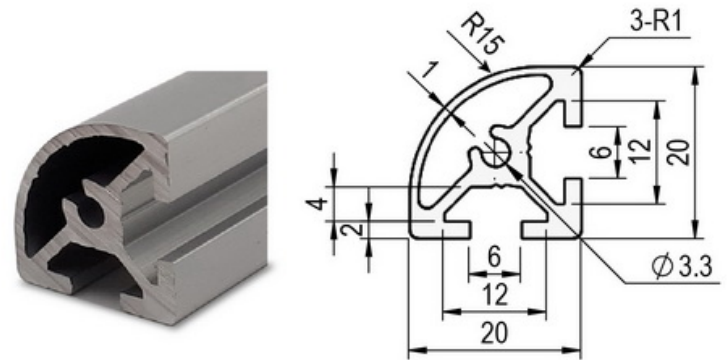
XA-2020CH



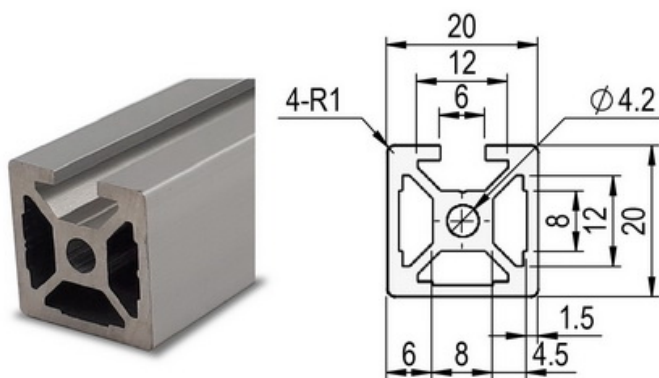
XA-2020CL



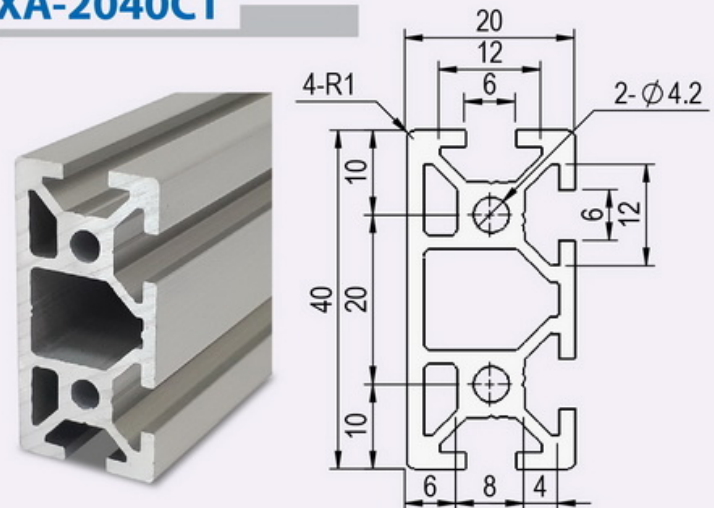
XA-2020R



XA-2020CU



XA-2040CT



Specified Length Frames

Part Number	Max Length (mm)	Mass (kg/m)	Material	Surface
XA-2020CT	4000	0.52	A6N01SS -T5	Clear Anodize
XA-2020CL	4000	0.53		
XA-2020CU	4000	0.56		
XA-2020CH	4000	0.54		
XA-2020R	4000	0.40		
XA-2040CT	4000	0.93		

Ordering Example

Part Number - L

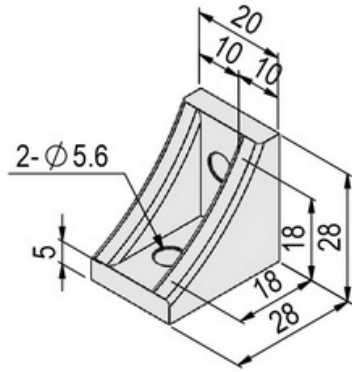
XA-2020CL - 2550



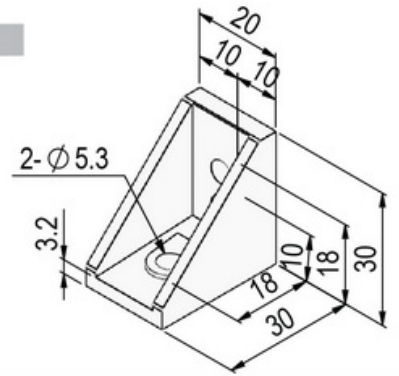
Delivery

2 Day

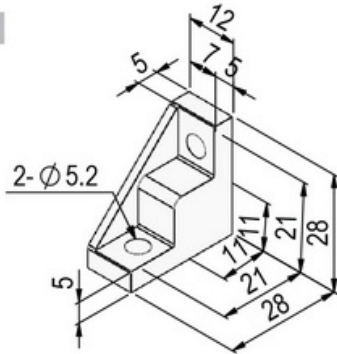
DD-20



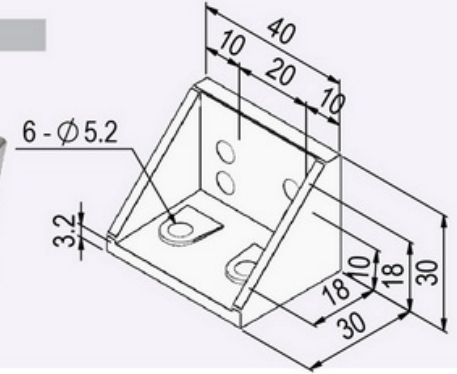
DCS-20



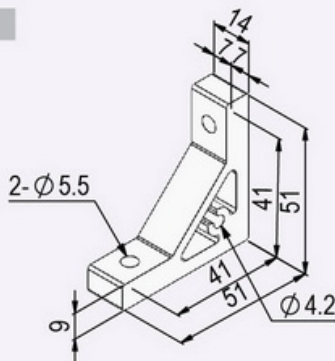
DC-20



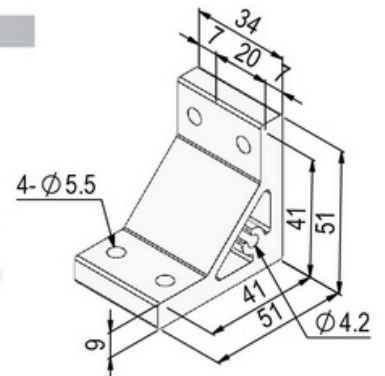
DCS-2040



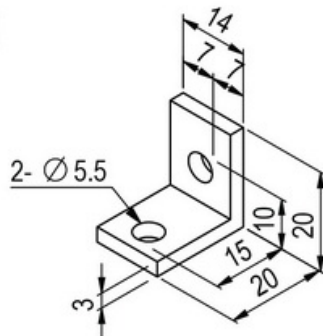
HB-20



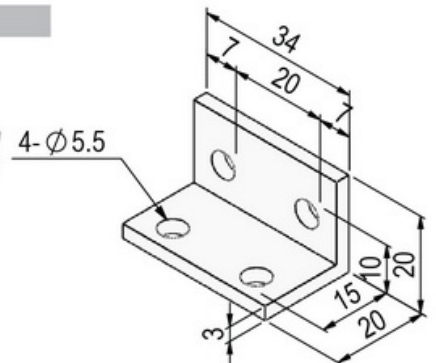
HB-2040



LB-20



LB-2040



Part Number	Mass (g)	Material	Surface	Kit set (not include)		Load (N)
				Screw	T-NUT	
DD-20	11	ADC12	-	CM5-10x2	TN-20-M5x2	1176
DC-20	13	A6N01SS-T5	Anodize	CM5-14x2		833
HB-20	31			CM5-8x2	686	
LB-20	4			CM5-10x2	1176	
DCS-20	15			ADC12	-	CM5-10x4
DCS-2040	35	CM5-14x4	1470			
HB-2040	75	CM5-8x4	1176			
LB-2040	10					

Ordering Example

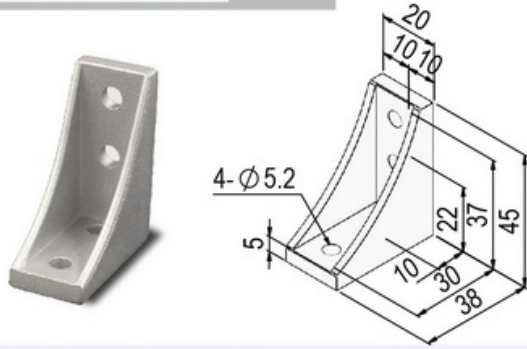
Part Number

DC-20

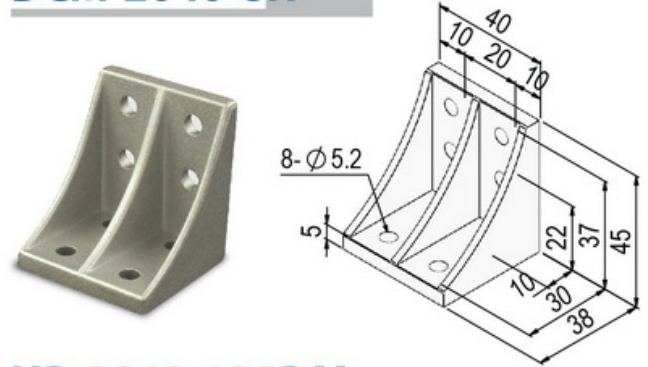
Delivery

1 Day

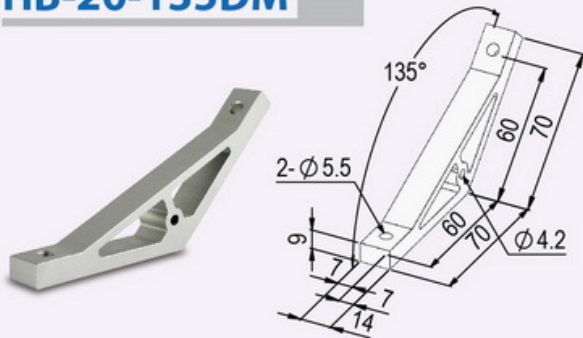
DCM-20-4H



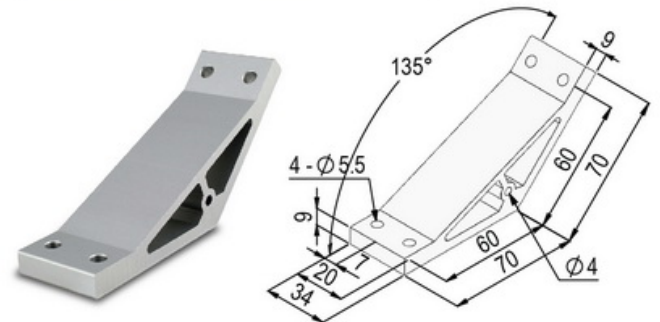
DCM-2040-8H



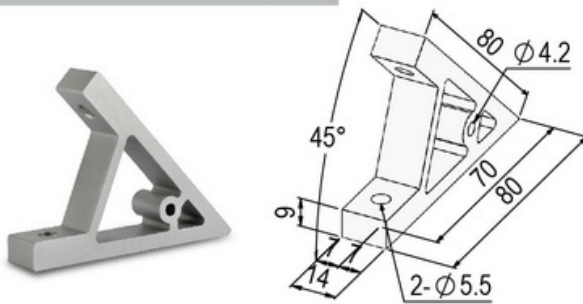
HB-20-135DM



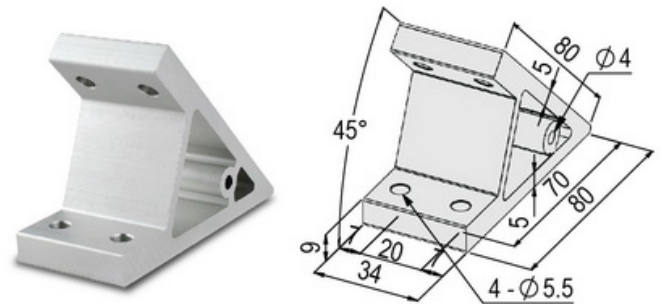
HB-2040-135DM



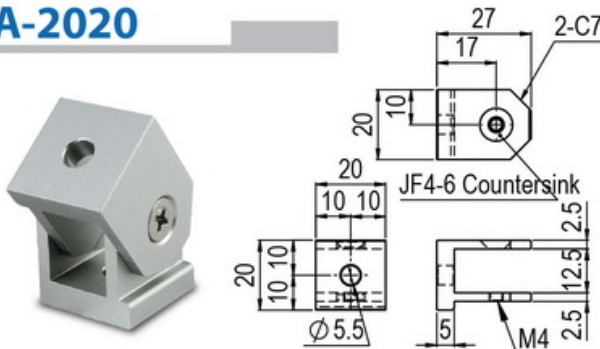
HB-20-45DM



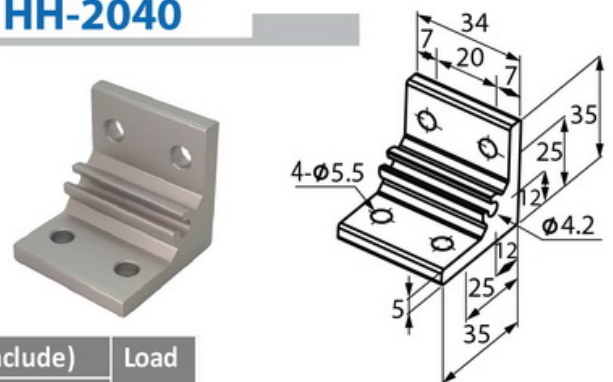
HB-2040-45DM



FA-2020



HH-2040



Part Number	Mass (g)	Material	Surface	Kit set (not include)		Load (N)
				Screw	T-NUT	
DCM-20-4H	24	ADC12	-	CM5-10x4	TN-20-M5x4	1470
HB-20-135DM	48	A6N01SS-T5	Anodize	CM5-14x2	TN-20-M5x2	833
HB-20-45DM	41					
FA-2020	23					
DCM-2040-8H	47	ADC12	-	CM5-10x8	TN-20-M5x8	2156
HB-2040-135DM	118	A6N01SS-T5	Anodize	CM5-14x4	TN-20-M5x4	1470
HB-2040-45DM	100					
HH-2040	36					

Ordering Example

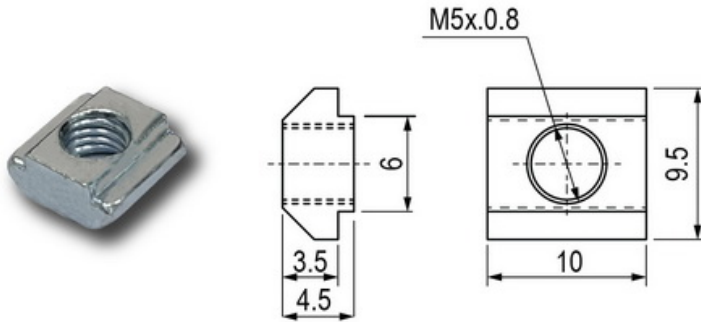
Part Number

HB-20-45DM

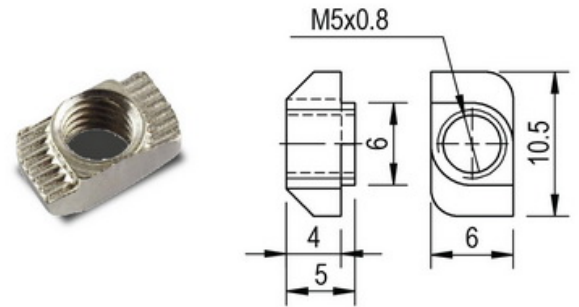
Delivery

2 Day

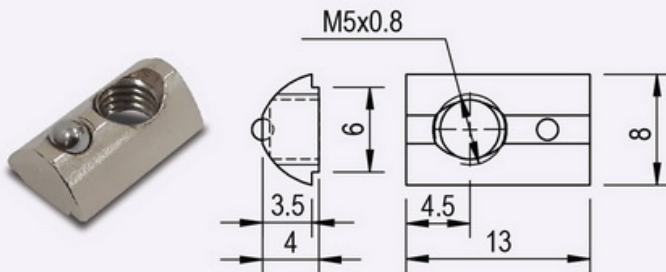
TN-20 (T-NUT-20)



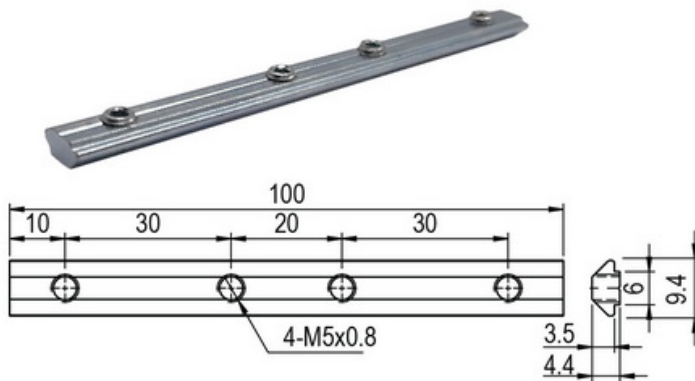
FN-20 (FREE-NUT-20)



BN-20 (BALL-NUT-20)



LN-20T (LONG-NUT-20T)



Part Number	Mass (g)	Material	Surface Treatment	Applicable Bolts (M)	Applicable Frames
TN-20	2.5	S10C	Uni-Chrome	M = 3 4 5	20 SERIES
BN-20	4.0			M = 3 4 5	
LN-20T	25.0			M = 5	
FN-20	2.0			M = 3 4 5	

Ordering Example

Part Number

TN-20-M5



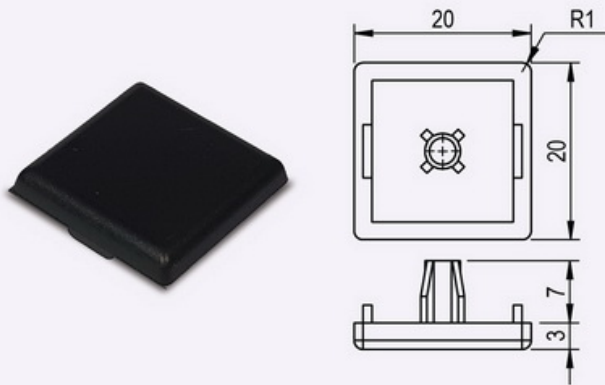
Delivery

1

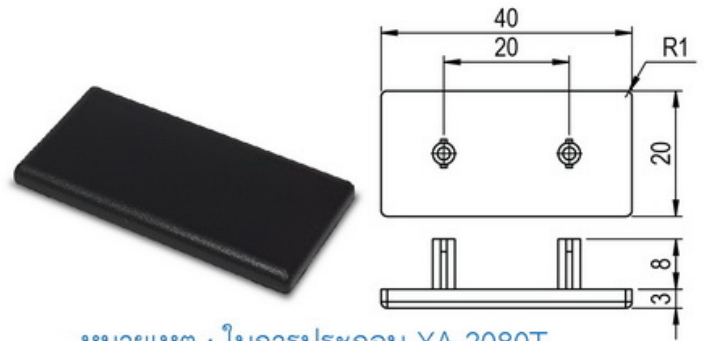
Day



EC-2020T

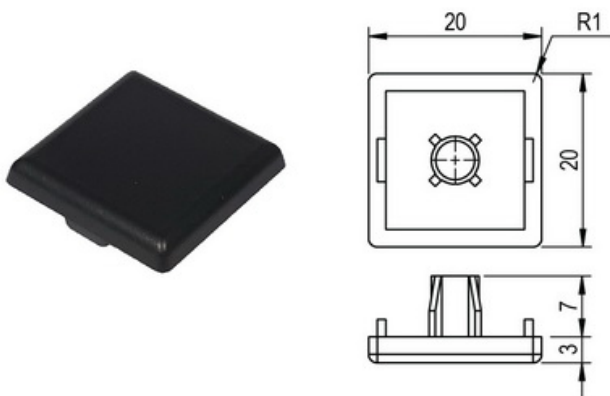


EC-2040T

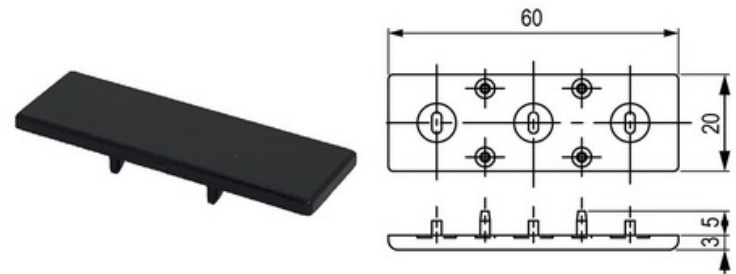


หมายเหตุ : ในการประกอบ XA-2080T,
ใช้ EC-2040T จำนวน 2 ตัว

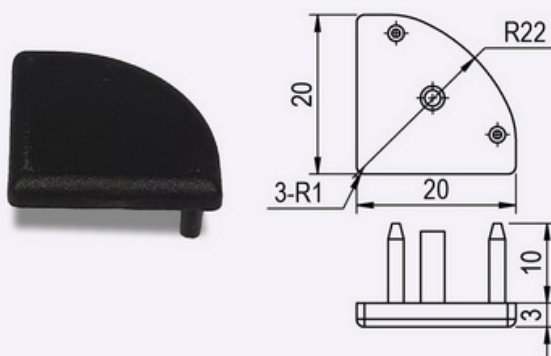
EC-2020H



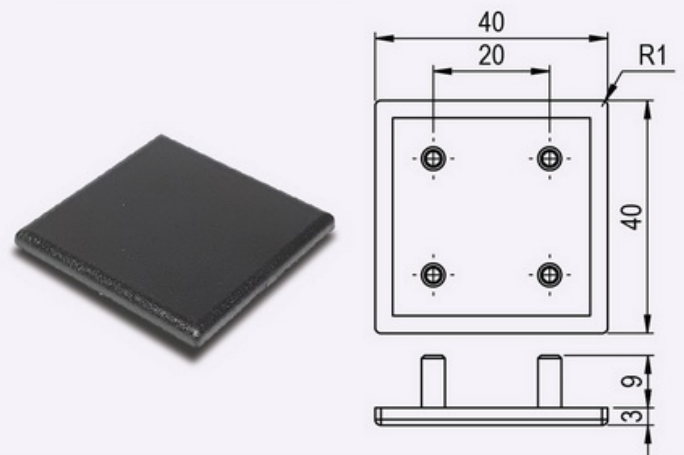
EC-2060T



EC-2020R



EC-4040T-2S



Part Number	Mass (g)	Material	Color	Application Frames
EC-2020T	1.3	ABS	Black	XA-2020T
EC-2020H	1.3			XA-2020H
EC-2020R	1.2			XA-2020R
EC-2040T	2.3			XA-2040T
EC-2060T	4.1			XA-2060T
EC-4040T-2S	5.1			XA-4040T-2S

Ordering Example

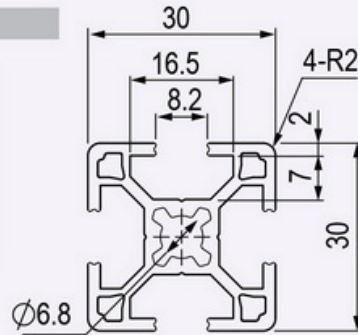
Part Number

EC-2020T

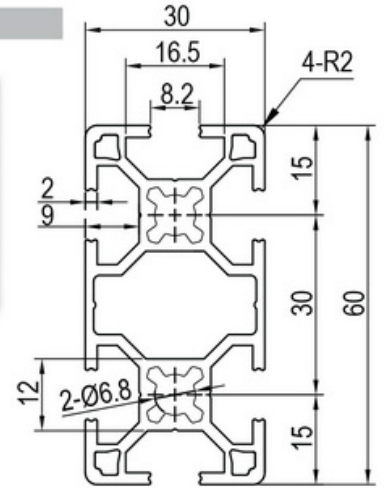
Delivery

1 Day

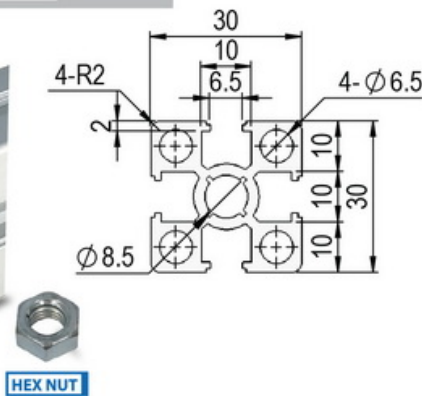
XA-3030T



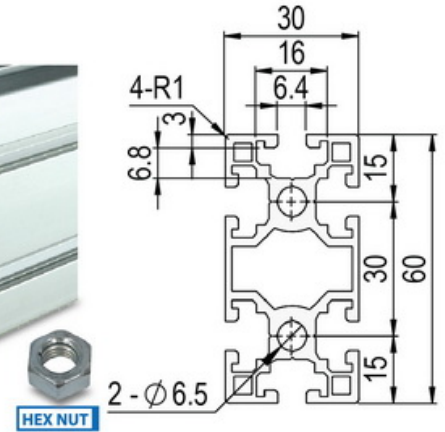
XA-3060T



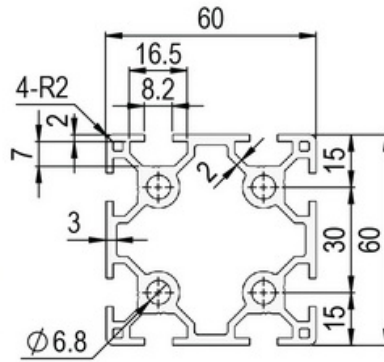
XA-3030H



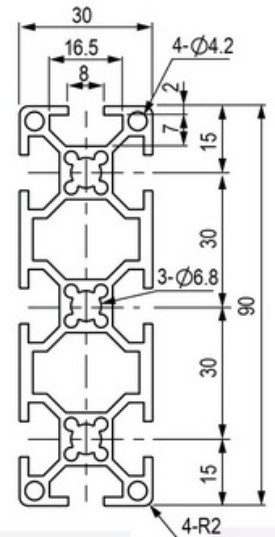
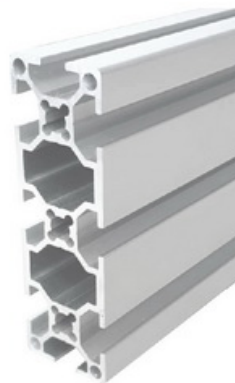
XA-3060TH



XA-6060T-2S



XA-3090T



Specified Length Frames

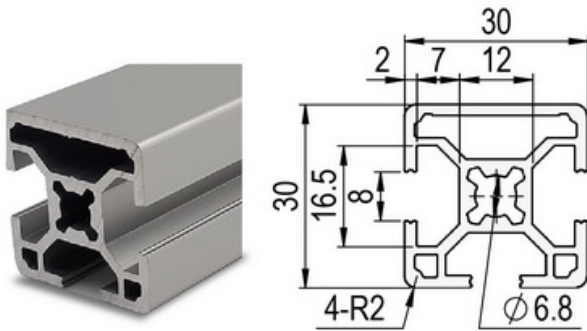
Part number	Max Length (mm)	Mass (kg/m)	Material	Surface
XA-3030T	6000	0.82	A6063-T5	Clear Anodize
XA-3030H		0.93		
XA-6060T-2S		2.60		
XA-3060T		1.50		
XA-3060TH		1.63		
XA-3090T		5600		

Ordering Example

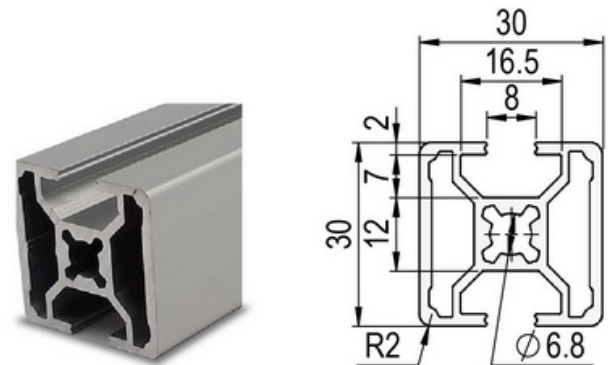
Part Number - L
XA-3030T - 1250

Delivery 1 Day

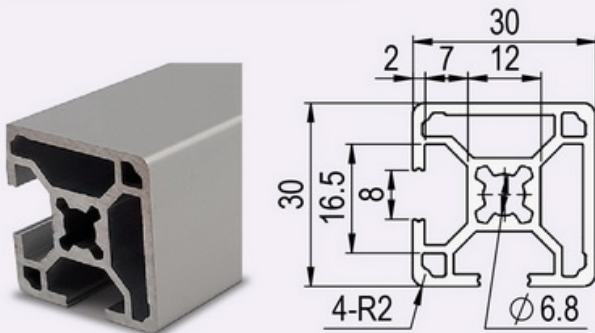
XA-3030CT



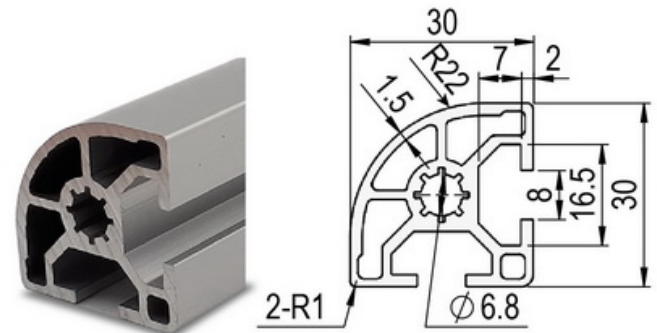
XA-3030CH



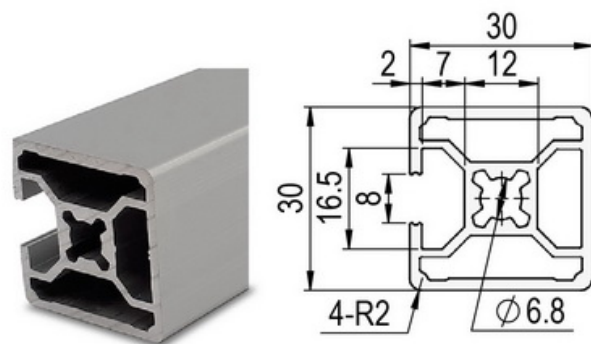
XA-3030CL



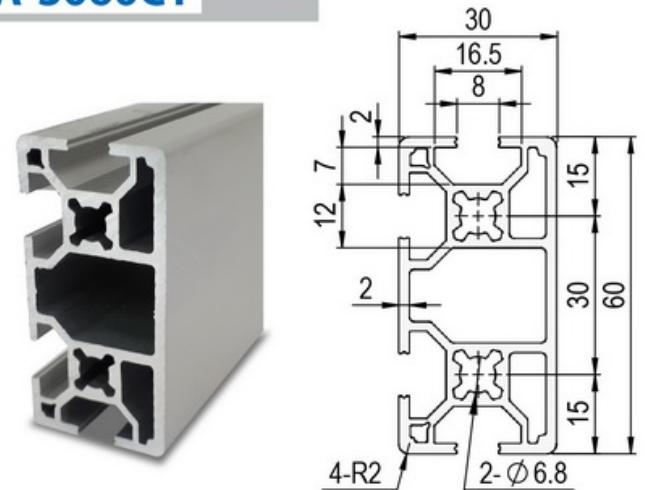
XA-3030R



XA-3030CU



XA-3060CT



Specified Length Frames

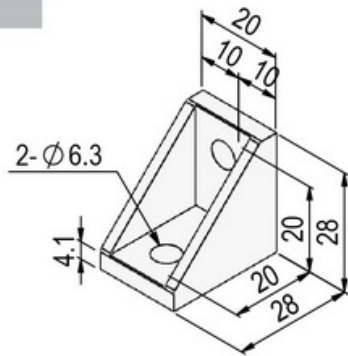
Part Number	Max Length (mm)	Mass (kg/m)	Material	Surface
XA-3030CT	4000	0.85	A6N01SS -T5	Clear Anodize
XA-3030CL	4000	0.89		
XA-3030CU	4000	0.90		
XA-3030CH	4000	0.86		
XA-3030R	4000	0.82		
XA-3060CT	4000	1.55		

Ordering Example

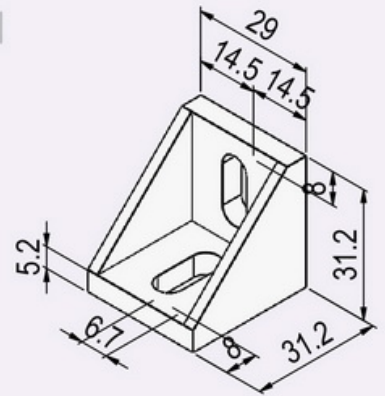
Part Number - L
XA-3030CL - 1550

Delivery 2 Day

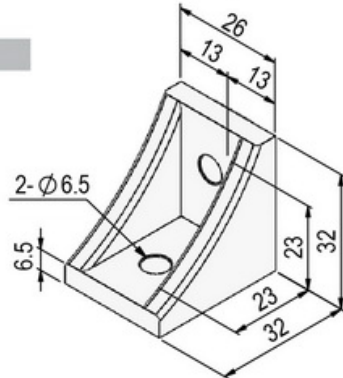
DCM-30



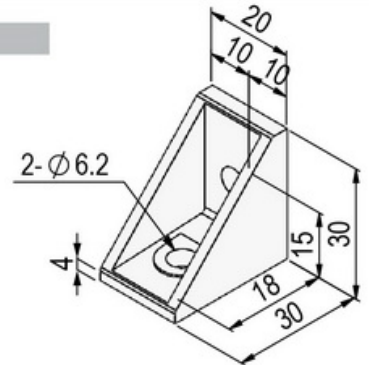
DC-30



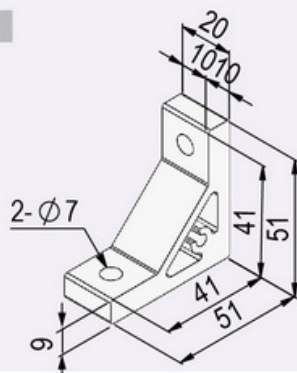
DD-30



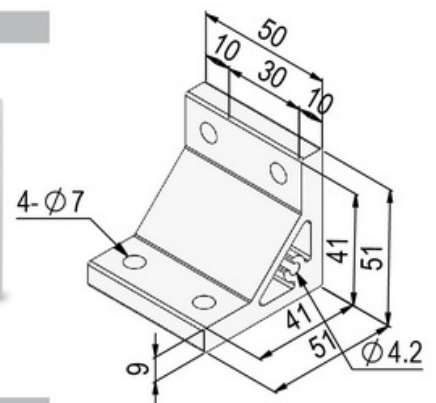
DCS-30



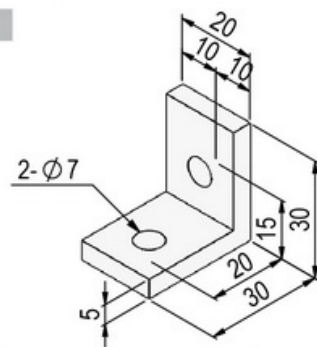
HB-30



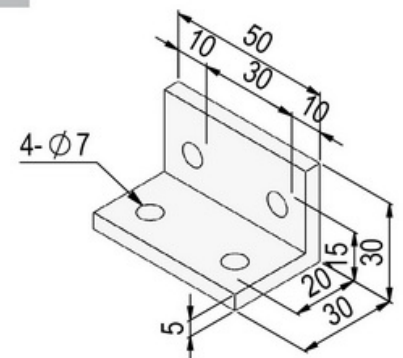
HB-3060



LB-30



LB-3060



Part Number	Mass (g)	Material	Surface	Kit set (not include)		Load (N)
				Screw	T-NUT	
DCM-30	13	ADC12	-	CM6-12x2	TN-30-M6x2	1176
DD-30	16			CM6-15x2		1250
HB-30	44	A6N01SS-T5	Anodize	CM6-16x2		1176
LB-30	14			CM6-12x2		980
DC-30	18	ADC12	-	CM6-12x2	1176	
DCS-30	15			CM6-16x4	TN-30-M6x4	1960
HB-3060	111	A6N01SS-T5	Anodize	CM6-12x4		1568
LB-3060	35			CM6-12x4		

Ordering Example

Part Number

DD-30

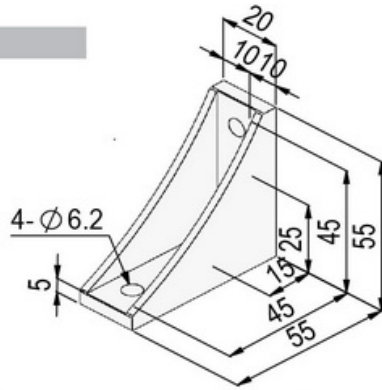


Delivery

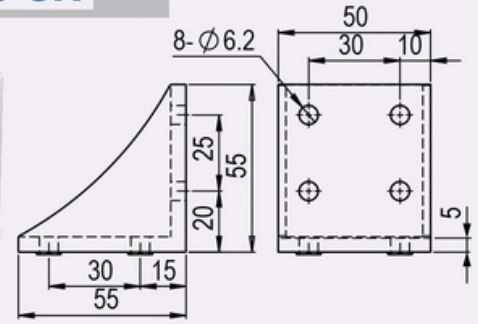
1

Day

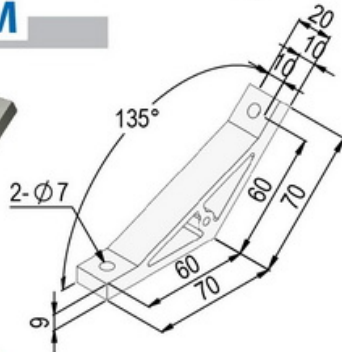
DCM-30-4H



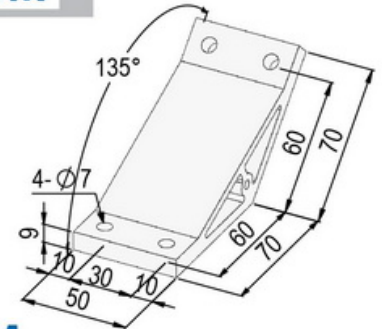
DCM-3060-8H



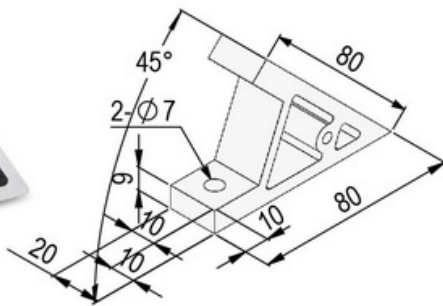
HB-30-135DM



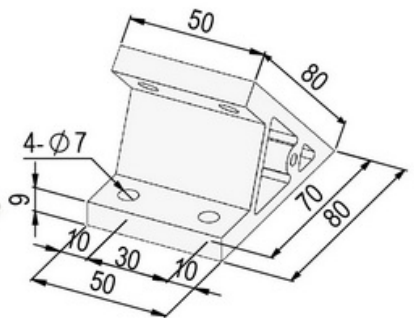
HB-3060-135DM



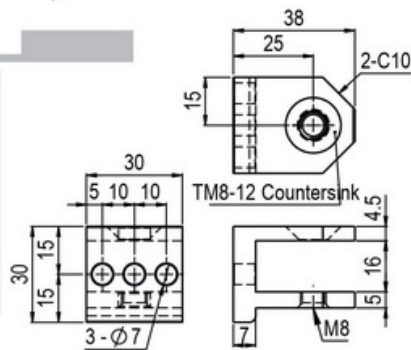
HB-30-45DM



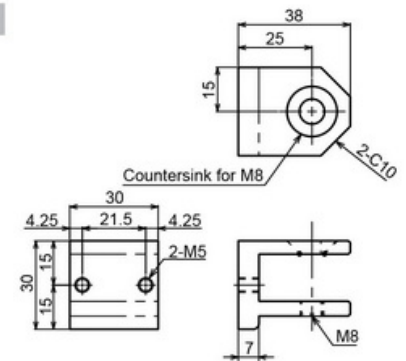
HB-3060-45DM



FA-3030-A



FA-3030-B



Part Number	Mass (g)	Material	Surface	Kit set (not include)		Load (N)
				Screw	T-NUT	
DCM-30-4H	37	ADC12	-	CM6-12x4	TN-30-M6x4	1764
HB-30-135DM	68	A6N01SS-T5	Anodize	CM6-16x2	TN-30-M6x2	1176
HB-30-45DM	56			CM6-15x2	TN-30-M6x2	-
FA-3030-A	40			CM5-25x2	DJ-30-SSx1	-
DCM-3060-8H	65	ADC12	-	CM6-12x8	TN-30-M6x8	2940
HB-3060-135DM	172	A6N01SS-T5	Anodize	CSM6-16x4	TN-30-M6x4	1960
HB-3060-45DM	147					
FA-3030-B	41			CM5-25x2	DJ-30-SSx1	-

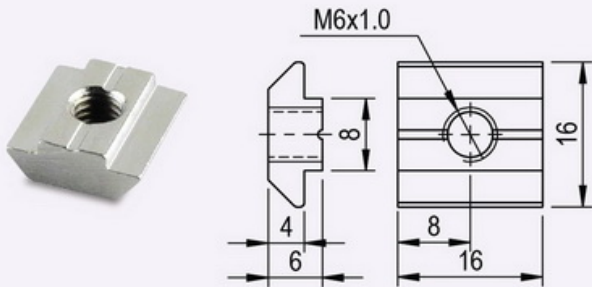
Ordering Example

Part Number

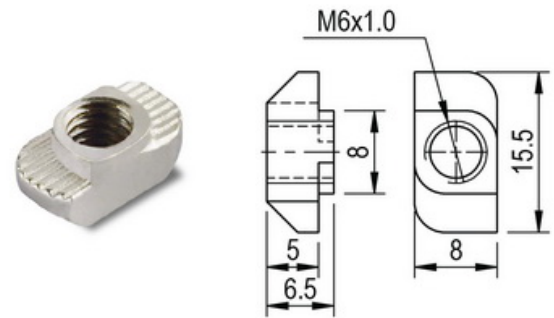
FA-3030-B

Delivery 2 Day

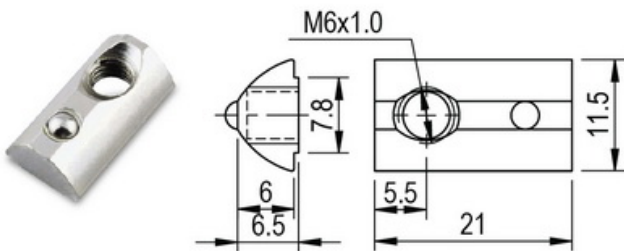
TN-30 (T-NUT-30)



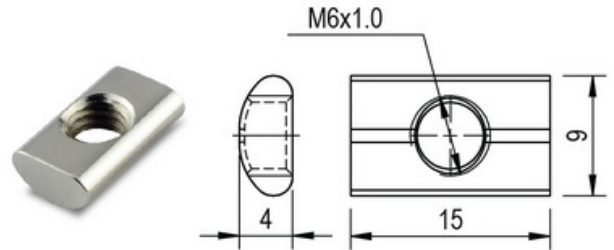
FN-30 (FREE-NUT-30)



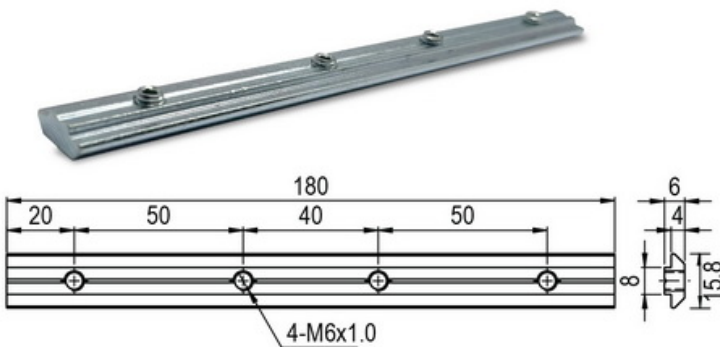
BN-30 (BALL-NUT-30)



AFN-30H (AFTER-NUT-30H)



LN-30T (LONG-NUT-30T)



Part Number	Mass (g)	Material	Surface Treatment	Applicable Bolts (M)	Applicable Frames
TN-30	8.0	S10C	Uni-Chrome	M = 3 4 5 6	30 SERIES
BN-30	6.0			M = 3 4 5 6	
LN-30T	98.0			M = 6	
FN-30	4.0			M = 3 4 5 6	
AFN-30H	7.0			M = 3 4 5 6	

Ordering Example

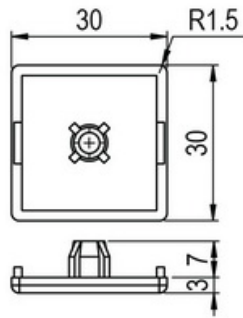
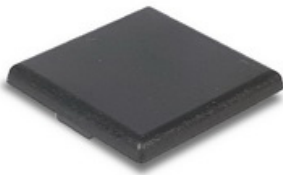
Part Number

FN-30-M6

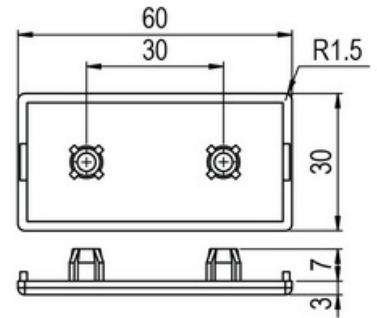
Delivery

1 Day

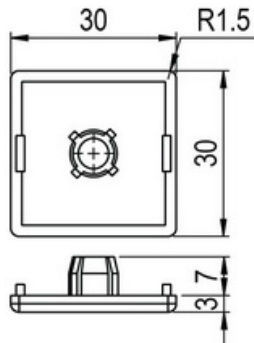
EC-3030T



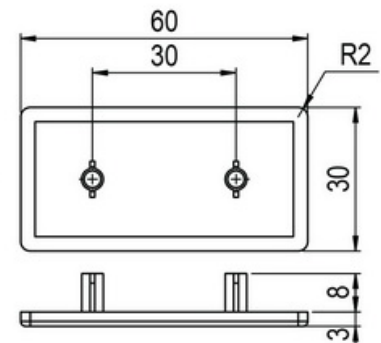
EC-3060T



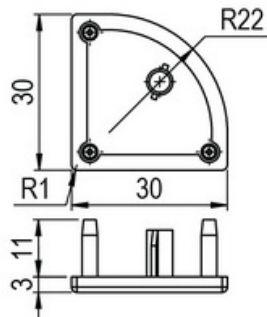
EC-3030H



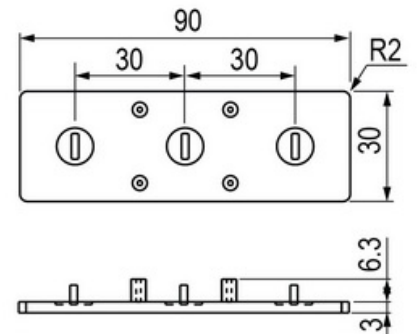
EC-3060TH



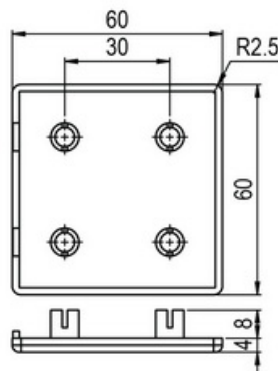
EC-3030R



EC-3090T



EC-6060T-2S



Part Number	Mass (g)	Material	Color	Application Frames
EC-3030T	2.3	ABS	BLACK	XA-3030T
EC-3030H	2.3			XA-3030H
EC-3030R	2.4			XA-3030R
EC-6060T-2S	12.6			XA-6060T-2S
EC-3060T	4.7			XA-3060T
EC-3060TH	4.8			XA-3060TH
EC-3090T	9.5		XA-3090T	

Ordering Example

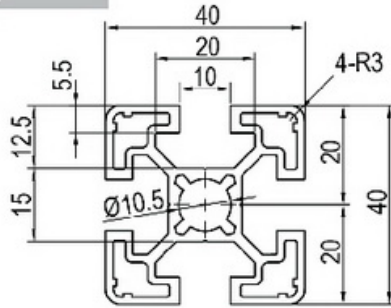
Part Number

EC-3060T

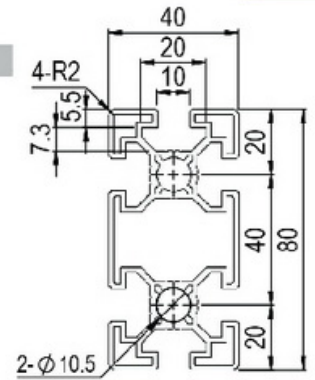
Delivery

1 Day

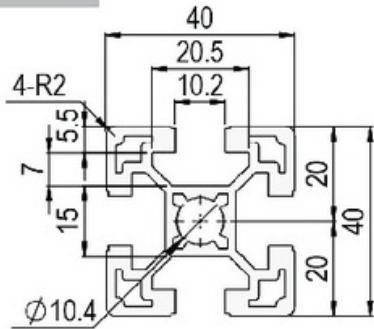
XA-4040T



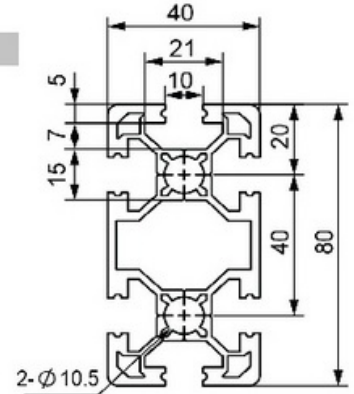
XA-4080T



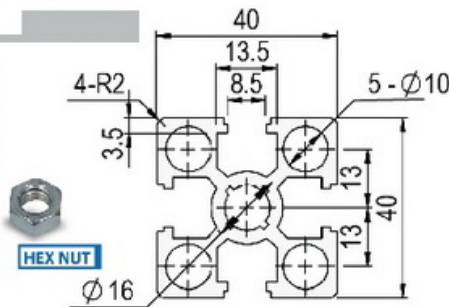
XA-4040HD



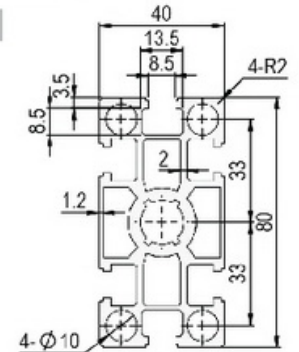
XA-4080HD



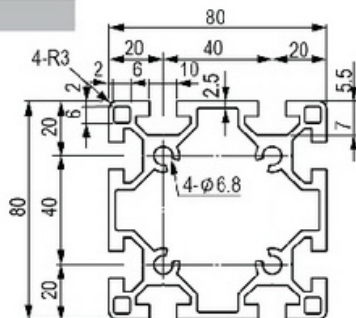
XA-4040H



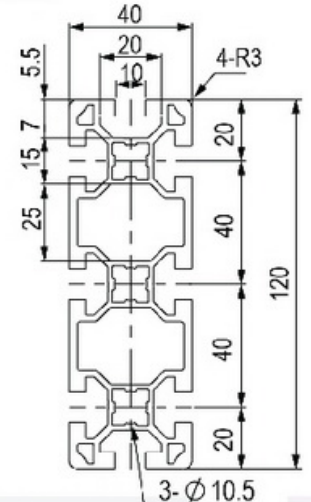
XA-4080H



XA-8080TM



XA-40120TM



Specified Length Frames

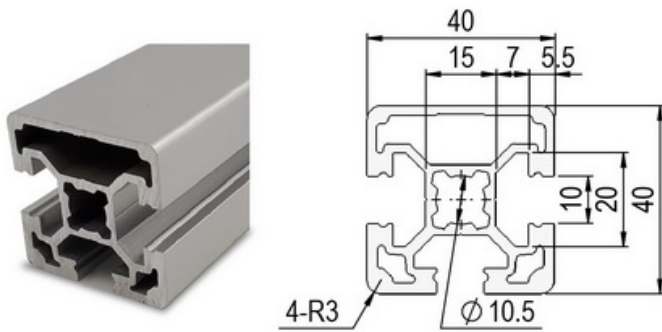
Part number	Max Length (mm)	Mass (kg/m)	Material	Surface
XA-4040T	6000	1.31	A6063-T5	Clear Anodize
XA-4040HD		1.76		
XA-4040H		1.62		
XA-8080TM		4.57		
XA-4080T		2.25		
XA-4080HD		2.81		
XA-4080H		2.75		
XA-40120TM	4000	3.98		

Ordering Example

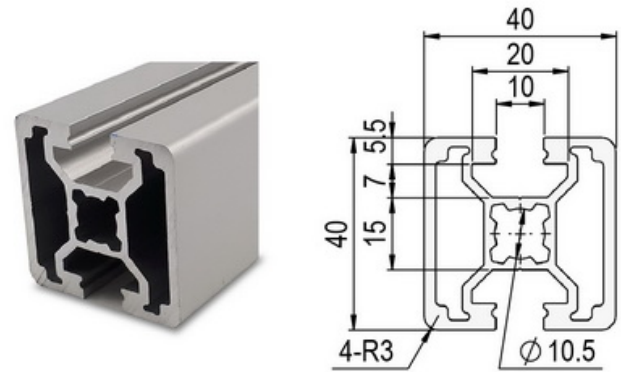
Part Number - L
XA-4080T - 2250

Delivery 1 Day

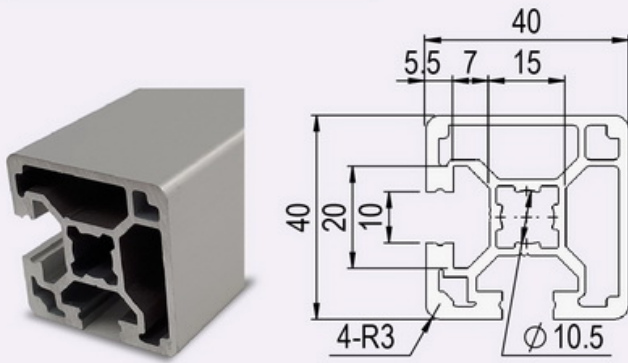
XA-4040CT



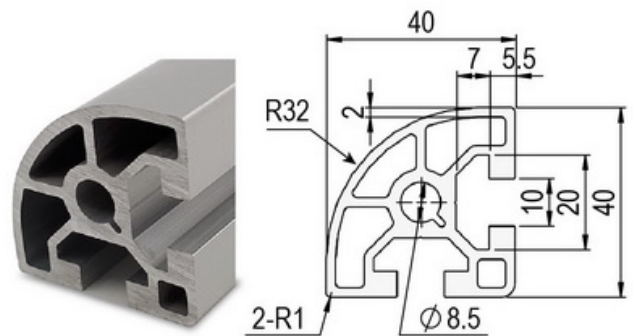
XA-4040CH



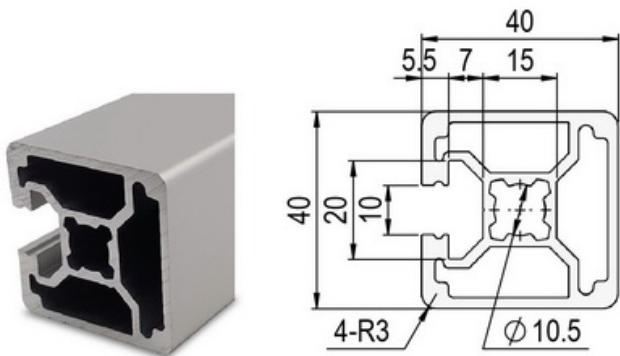
XA-4040CL



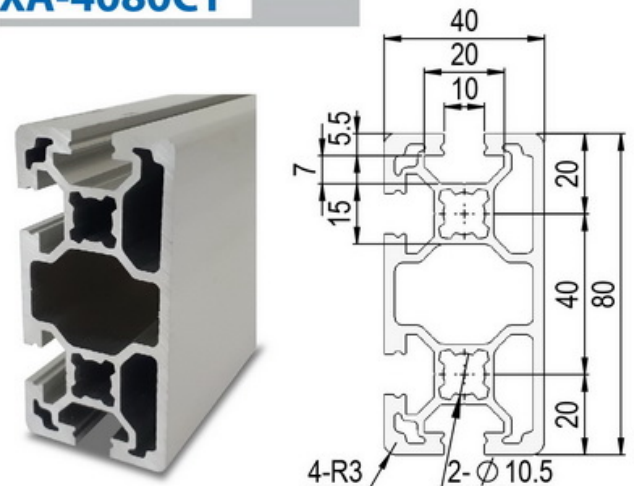
XA-4040R



XA-4040CU



XA-4080CT



Specified Length Frames

Part Number	Max Length (mm)	Mass (kg/m)	Material	Surface
XA-4040CT	4000	1.53	A6N01SS-T5	Clear Anodize
XA-4040CL	4000	1.49		
XA-4040CU	4000	1.55		
XA-4040CH	4000	1.57		
XA-4040R	4000	1.53		
XA-4080CT	4000	2.82		

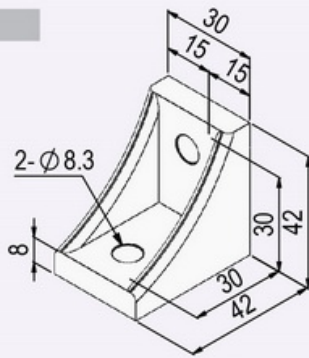
Ordering Example

Part Number - L

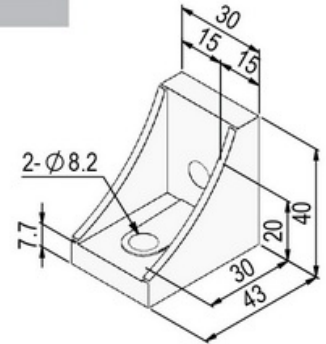
XA-4040CL - 1550

Delivery 2 Day

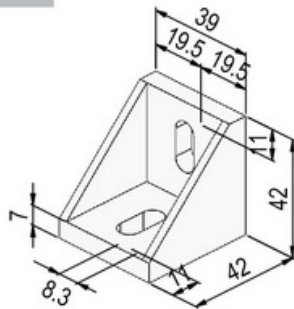
DCM-40



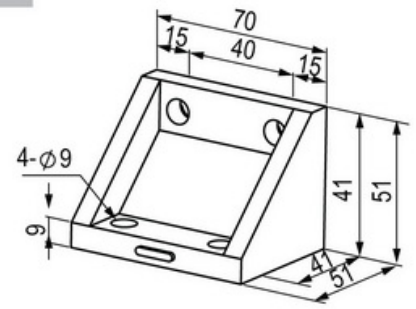
DCS-40



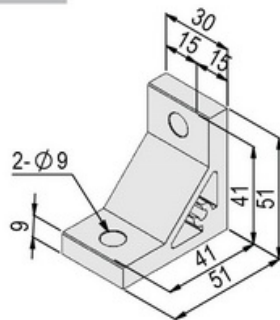
DC-40



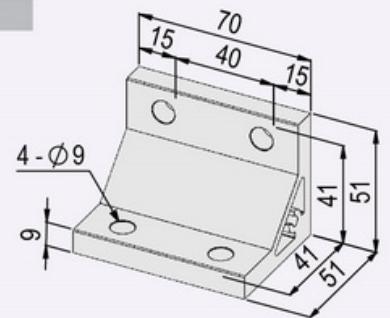
DC-4080



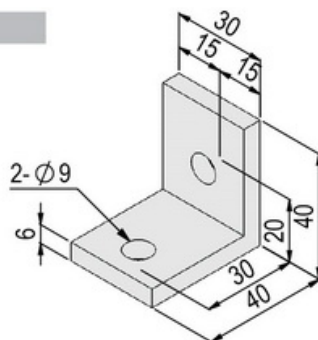
HB-40



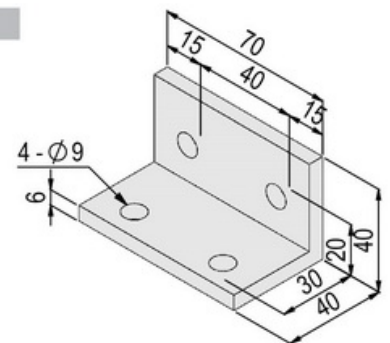
HB-4080



LB-40



LB-4080



Part Number	Mass (g)	Material	Surface	Kit set (not include)		Load (N)
				Screw	T-NUT	
DCM-40	54	ADC12	-	CM8-20x2	TN-40-M8x2	2058
DC-40	62	A6N01SS-T5	Anodize	CM8-16x2		
HB-40	66			CM8-20x2	TN-40-M8x4	3087
LB-40	34	CM8-16x4	2352			
DCS-40	50	ADC12		-	CM8-20x2	TN-40-M8x4
DC-4080	170	A6N01SS-T5	Anodize	CM8-20x4		
HB-4080	154			CM8-16x4	2352	
LB-4080	80	CM8-16x4	2352			

Ordering Example

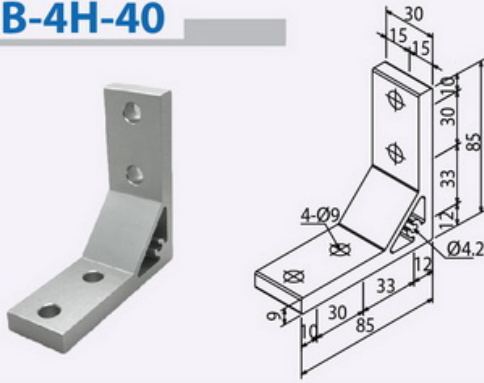
Part Number

HB-4080

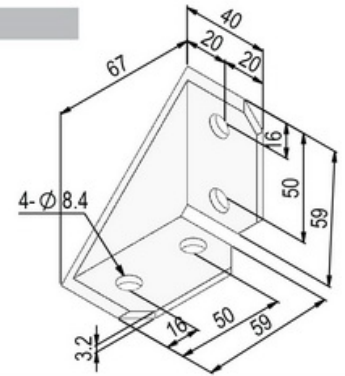
Delivery

1 Day

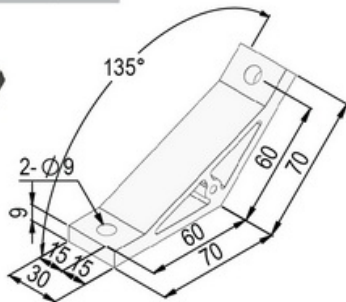
HB-4H-40



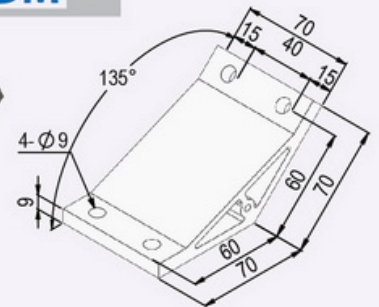
SS-40



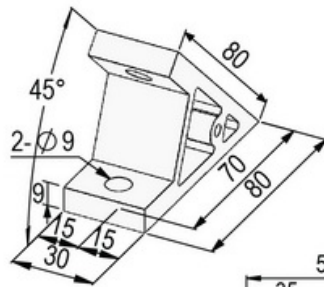
HB-40-135DM



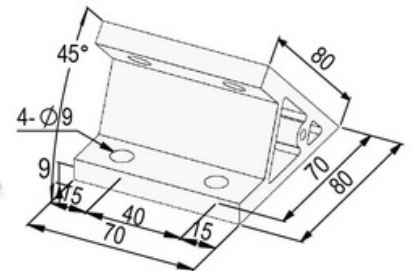
HB-4080-135DM



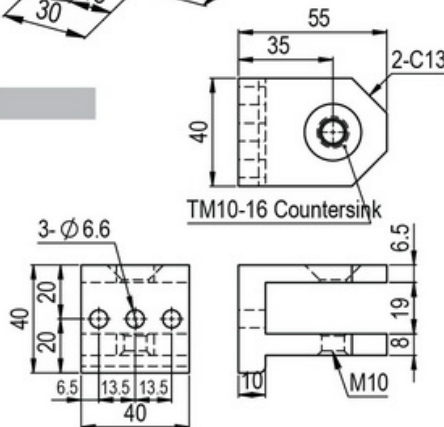
HB-40-45DM



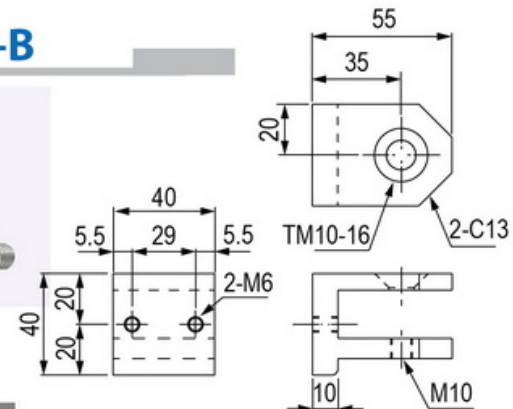
HB-4080-45DM



FA-4040-A



FA-4040-B



Part Number	Mass (g)	Material	Surface	Kit set (not include)		Load (N)
				Screw	T-NUT	
HB-4H-40	113	Alu. alloy	Alumite	CM8-20x4	TN-40-M8x4	3080
HB-40-135DM	103	A6N01SS-T5	Anodize	CM8-20x2	TN-40-M8x2	2058
HB-40-45DM	88			CM6-20x2	TN-40-M6x2	-
FA-4040-A	113			CM6-30x2	DJ-40-SSx1	-
SS-40	105	SPHC	Chromate	CM8-15x4	TN-40-M8x4	-
HB-4080-135DM	240	A6N01SS-T5	Anodize	CM8-20x4	TN-40-M8x4	2940
HB-4080-45DM	204			CM8-20x4	TN-40-M8x4	2940
FA-4040-B	113			CM6-30x2	DJ-40-SSx1	-

Ordering Example

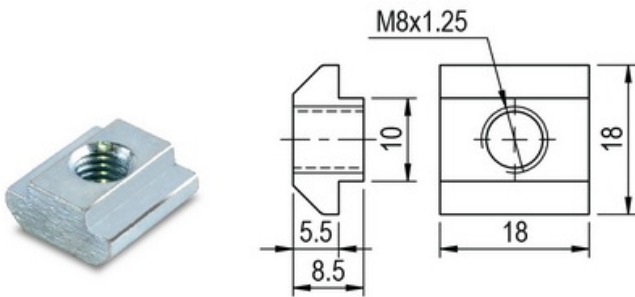
Part Number

HB-4080-135DM

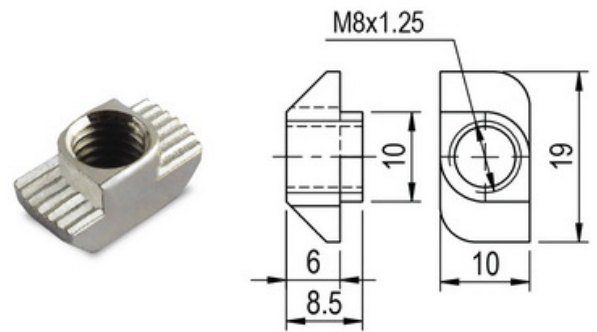
Delivery

2 Day

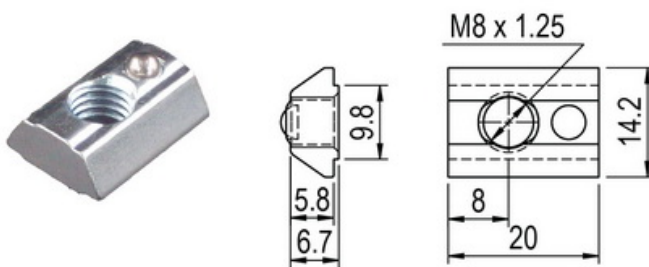
TN-40 (T-NUT-40)



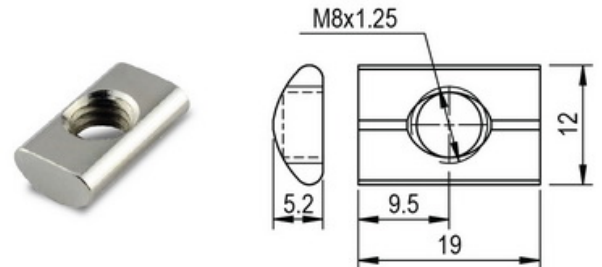
FN-40 (FREE-NUT-40)



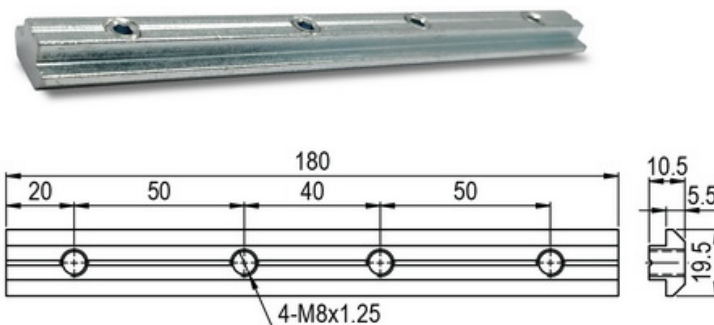
BN-40 (BALL-NUT-40)



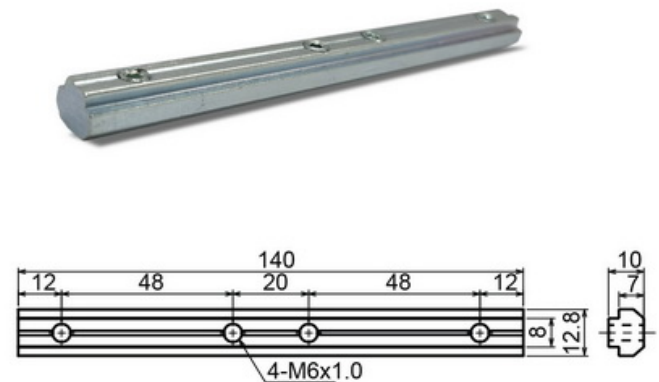
AF-NUT-40H (AFTER-NUT-40H)



LN-40T (LONG-NUT-40T)



LN-40H (LONG-NUT-40H)



Part Number	Mass (g)	Material	Surface	Applicable Bolts (M)	Applicable Frames
TN-40	14	S10C	Uni-Chrome	M= 4 5 6 8	40/45 Series
BN-40	10			M= 4 5 6 8	
LN-40T	196			M= 8	
FN-40	7			M= 4 5 6 8	
AF-NUT-40H	10			M= 4 5 6 8	
LN-40H	106			M= 6	

Ordering Example

Part Number

BN-40-M8

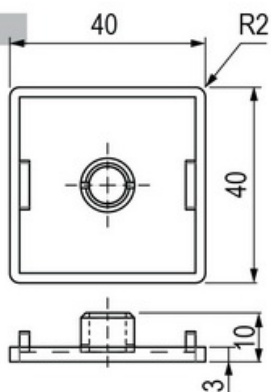


Delivery

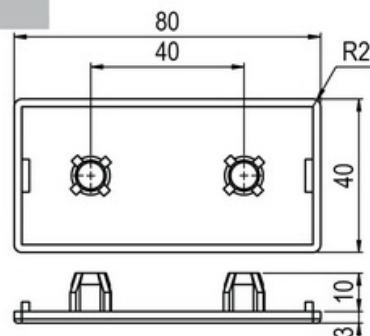
1

Day

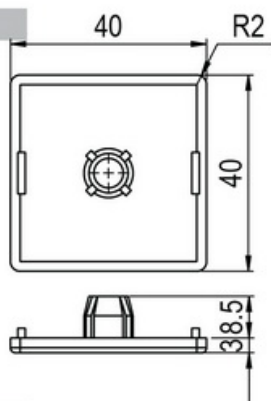
EC-4040T



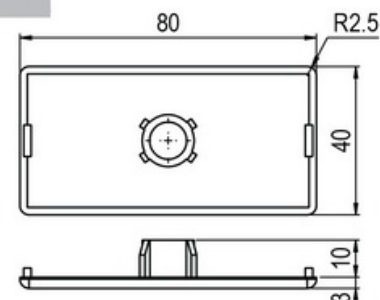
EC-4080T



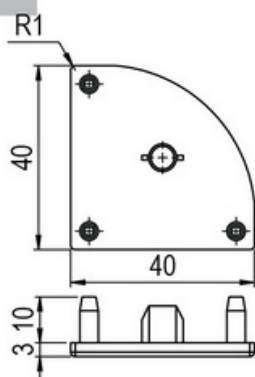
EC-4040H



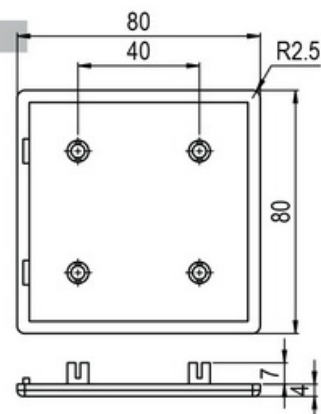
EC-4080H



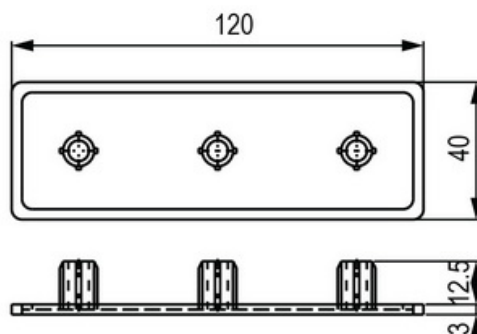
EC-4040R



EC-8080TM



EC-40120TM



Part Number	Mass (g)	Material	Color	Applicable Frame Application Frames
EC-4040T	7.5	ABS	BLACK	XA-4040T
EC-4040H	7.5			XA-3030H
EC-4040R	4.8			XA-4040R
EC-40120TM	20.0			XA-40120TM
EC-4080T	14.2			XA-4080T
EC-4080H	14.3			XA-4080H
EC-8080TM	28.2			XA-8080TM

Ordering Example

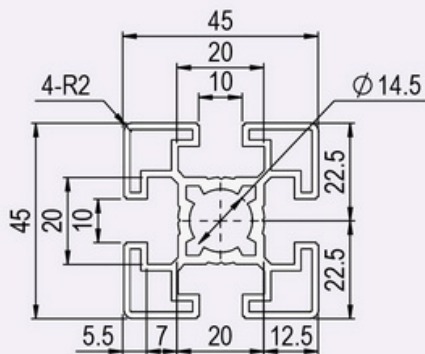
Part Number
EC-8080TM



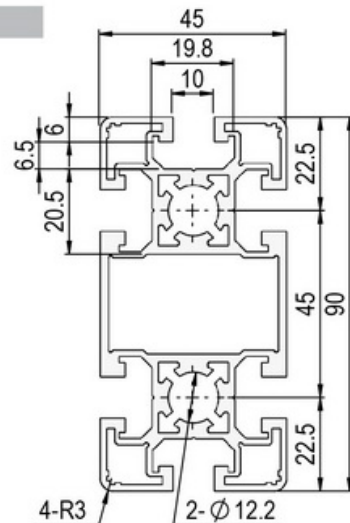
Delivery

1 Day

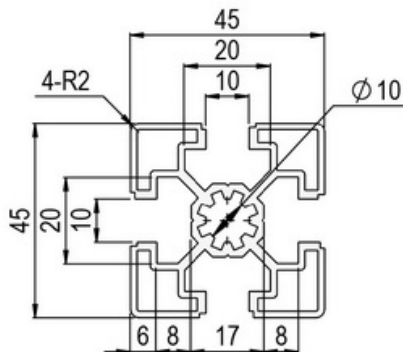
XA-4545T



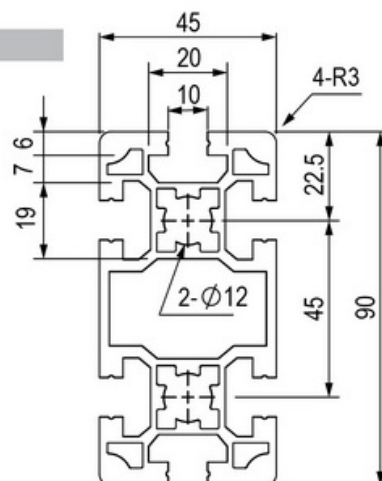
XA-4590TL



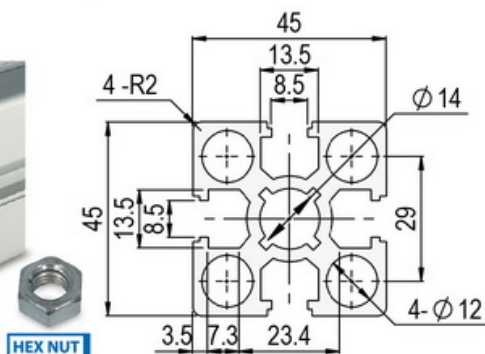
XA-4545TK



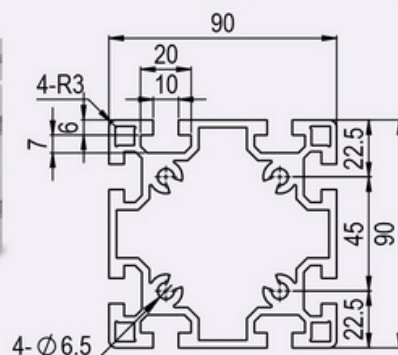
XA-4590TM



XA-4545H



XA-9090TM



Specified Length Frames

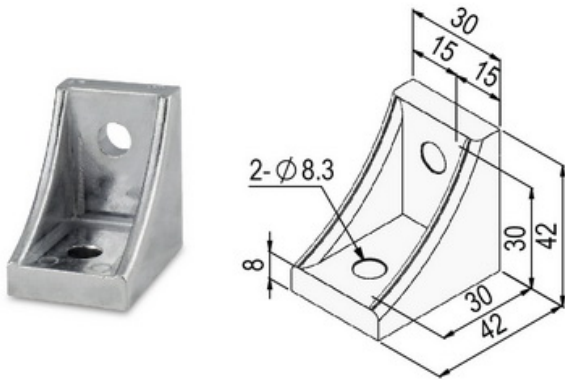
Part Number	Max Length (mm)	Mass (kg/m)	Material	Surface
XA-4545T	6000	1.55	A6063-T5	Clear Anodize
XA-4545TK	6000	1.60		
XA-4545H	6000	2.20		
XA-4590TL	4000	2.98		
XA-4590TM	4000	3.75		
XA-9090TM	4000	5.80		

Ordering Example

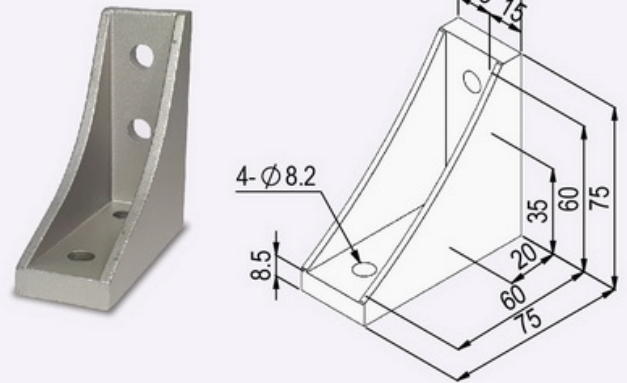
Part Number - L
 XA-4545T - 2250

Delivery 1 Day

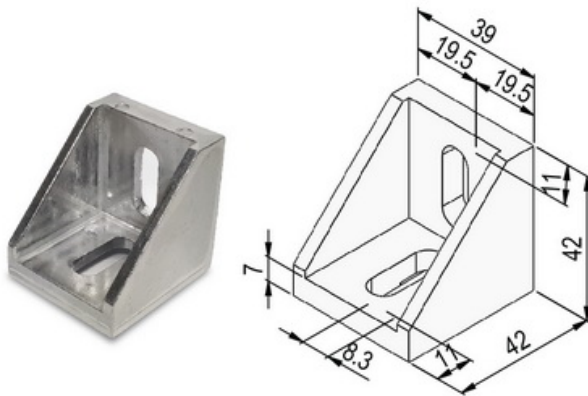
DCM-40



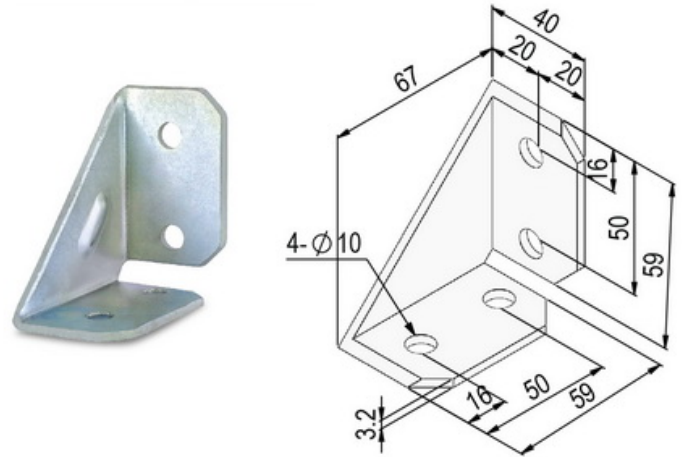
DCM-4H-40



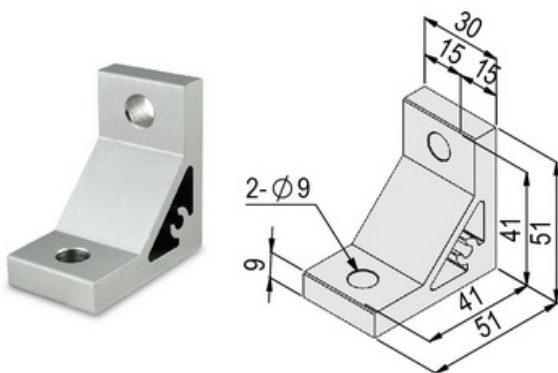
DC-40



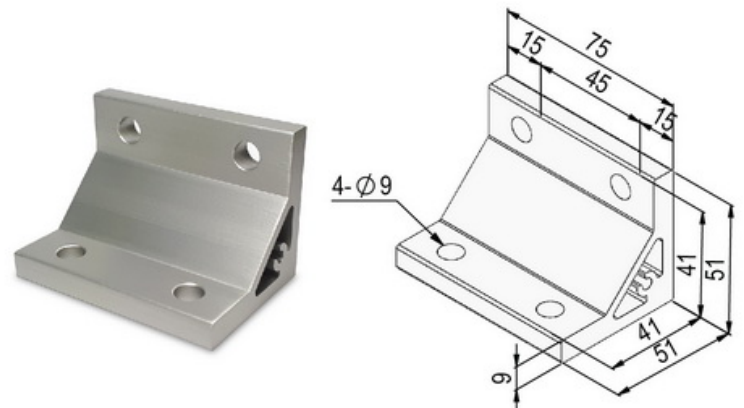
SS-40



HB-40



HB-4590



Part Number	Mass (g)	Material	Surface	Kit set (not include)		Load (N)
				Screw	T-NUT	
DCM-40	54	ADC12	-	CM8-20x2	TN-40-M8x2	2058
DC-40	62					
HB-40	66	A6N01SS-T5	Anodize			
DCM-4H-40	50	ADC12	-	CM8-20x4		3087
SS-40	89	SPHC	-	CM8-16x4	TN-40-M8x4	-
HB-4590	163	A6N01SS-T5	Anodize	CM8-20x4		2940

Ordering Example

Part Number

HB-4590

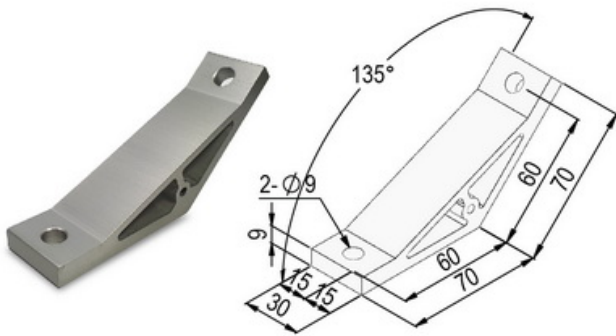


Delivery

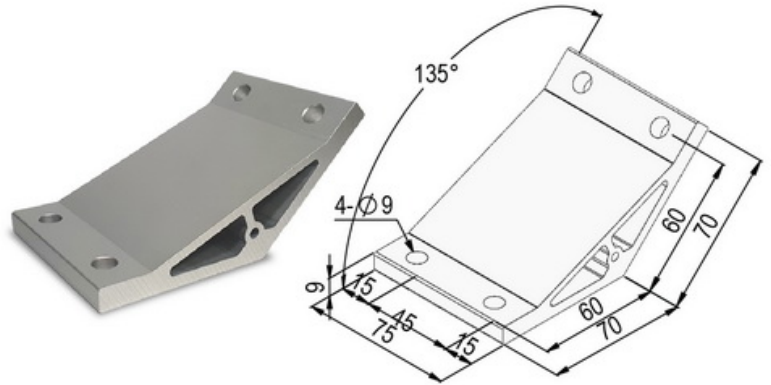
1

Day

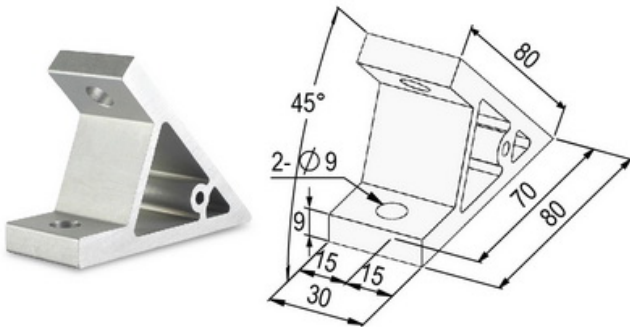
HB-40-135DM



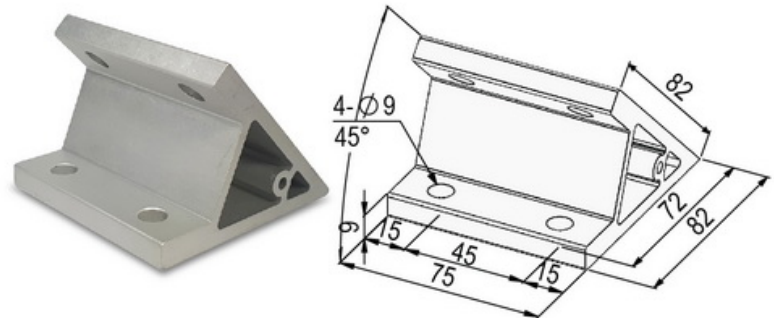
HB-4590-135DM



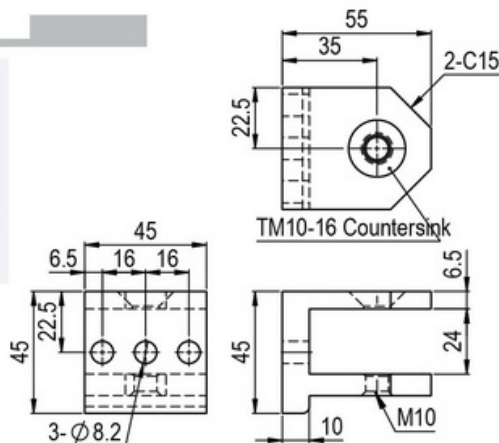
HB-40-45DM



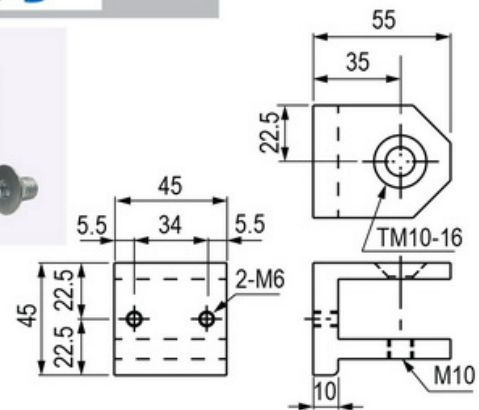
HB-4590-45DM



FA-4545-A



FA-4545-B



Part Number	Mass (g)	Material	Surface	Kit set (not include)		Load (N)
				Screw	T-NUT	
HB-40-135DM	103	A6N01SS-T5	Anodize	CM8-20x2	TN-40-M8x2	2058
HB-40-45DM	88				TN-40-M8-2	-
FA-4545-A	128			CM6-30x2	DJ-45-SSx1	-
HB-4080-135DM	258					
HB-4080-45DM	219					
FA-4545-B	132					

Ordering Example

Part Number

HB-4590-135DM

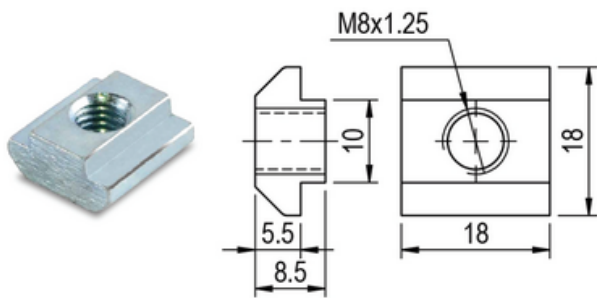


Delivery

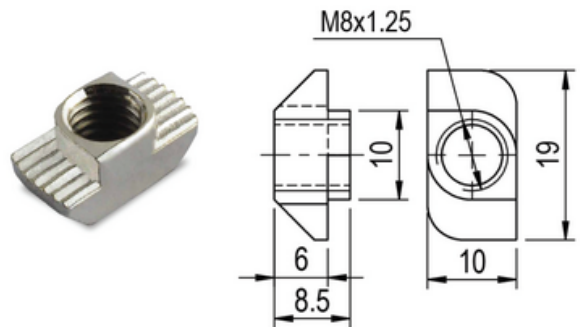
2

Day

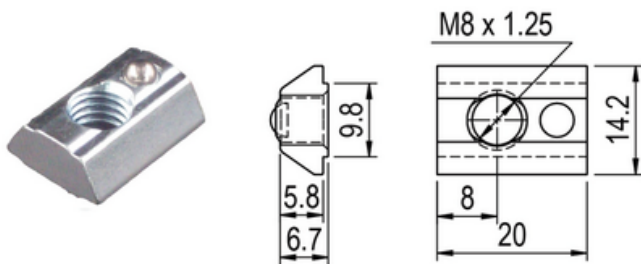
TN-40 (T-NUT-40)



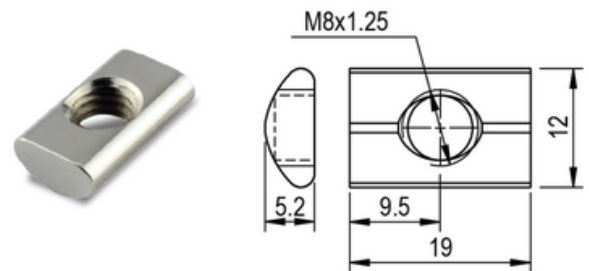
FN-40 (FREE-NUT-40)



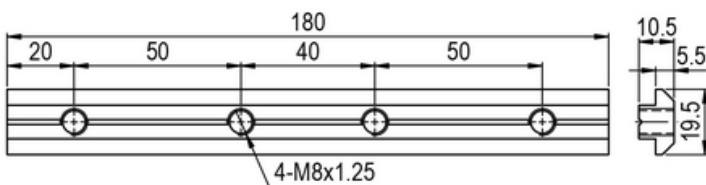
BN-40 (BALL-NUT-40)



AFN-40H (AFTER-NUT-40H)



LN-40T (LONG-NUT-40T)



Part Number	Mass (g)	Material	Surface Treatment	Applicable Bolts (M)	Applicable Frames
TN-40	14.0	S10C	Uni-Chrome	M = 4 5 6 8	40 SERIES / 45 SERIES
BN-40	10.0			M = 4 5 6 8	
LN-40T	196			M = 8	
FN-40	7.0			M = 4 5 6 8	
AFN-40H	10.0			M = 4 5 6 8	

Ordering Example

Part Number

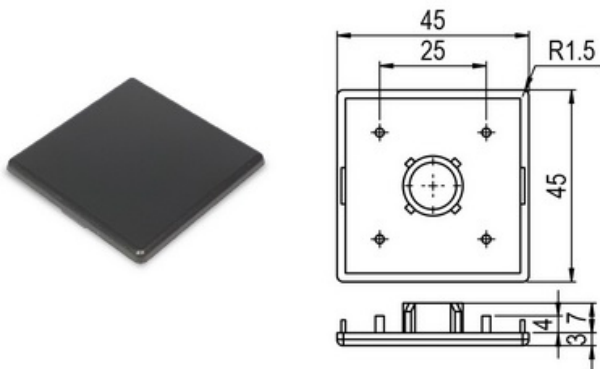
FN-40-M8



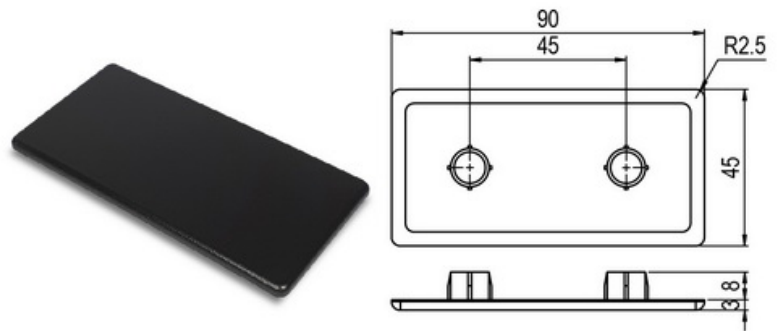
Delivery

1 Day

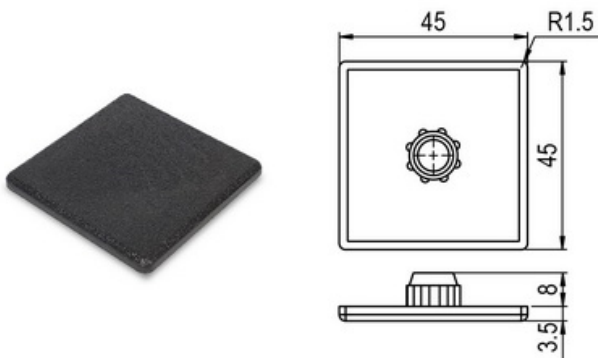
EC-4545T



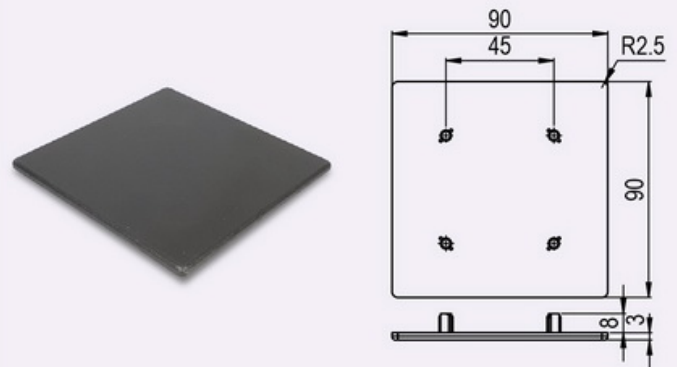
EC-4590TL



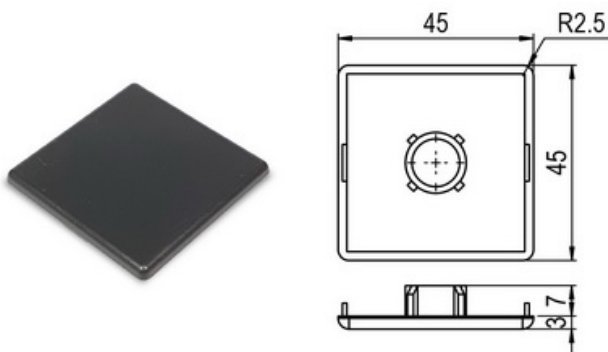
EC-4545TK



EC-9090TM



EC-4545H



Part Number	Mass (g)	Material	Color	Application Frames
EC-4545T	7.5	ABS	BLACK	XA-4545T
EC-4545TK	7.5			XA-4545TK
EC-4545H	7.5			XA-4545H
EC-4590TL	14.2	Polyamide		XA-4590TL, XA-4590TM
EC-9090TM	28.2			XA-9090TM

Ordering Example

Part Number

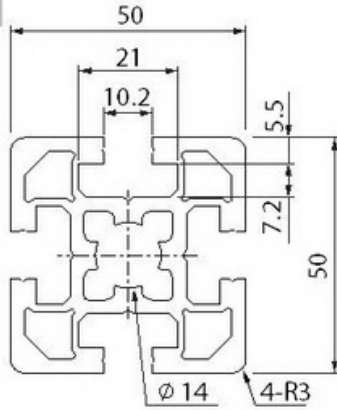
EC-4545T



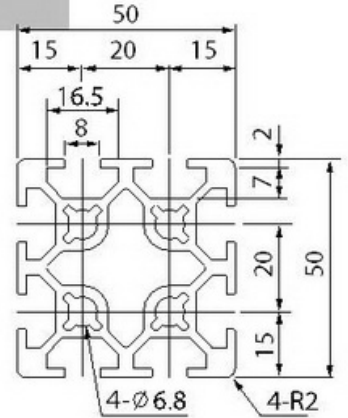
Delivery

1 Day

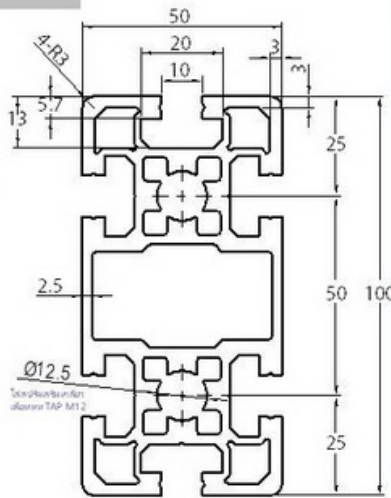
XA-5050TM



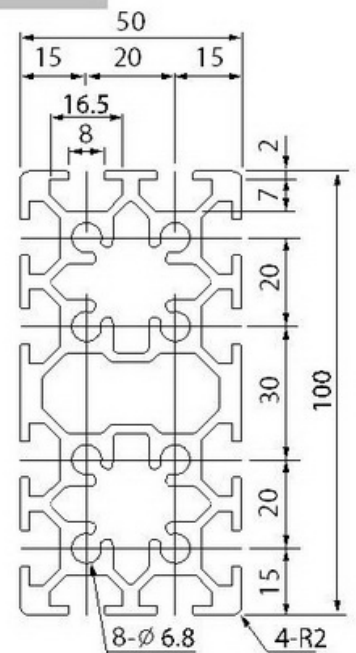
XA-5050T-2S



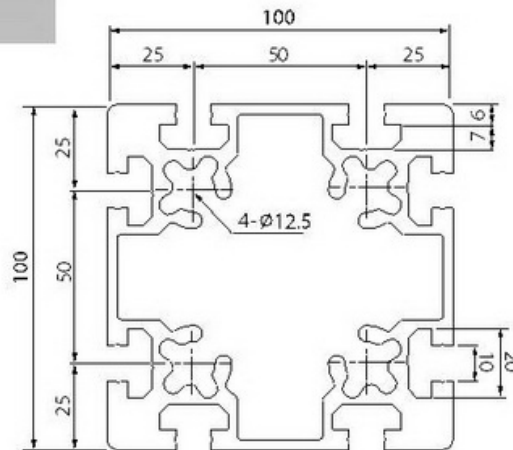
XA-50100TM



XA-50100T-2S



XA-100100TM



Specified Length Frames

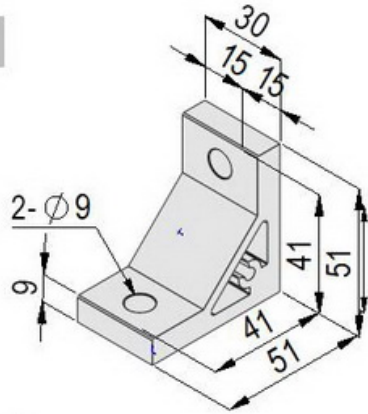
Part number	Max Length (mm)	Mass (kg/m)	Material	Surface
XA-5050TM	6000	2.84	A6063-T5	Clear Anodize
XA-50100TM	4000	5.39		
XA-100100TM	4000	7.80		
XA-5050T-2S	5600	2.32		
XA-50100T-2S	4000	4.36		

Order Example

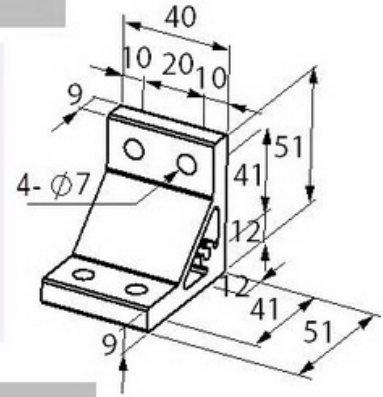
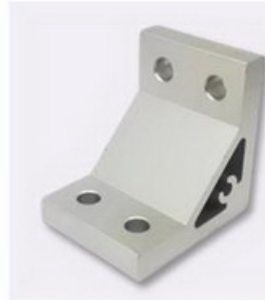
XA-5050TM-4000
XA-5050T-2S-5600

Delivery = 1-2 Days

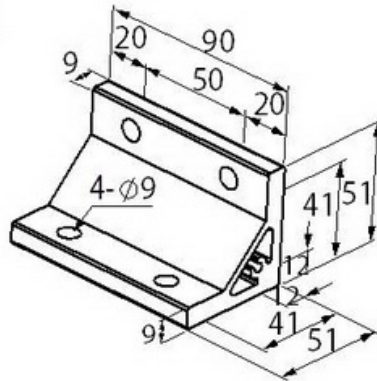
HB-40



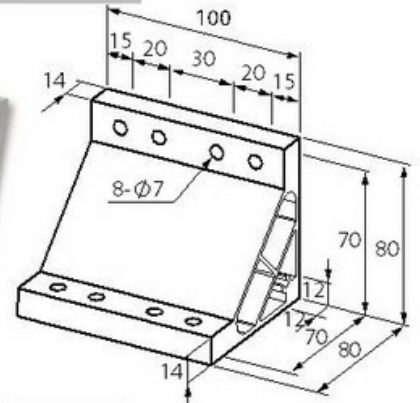
HB-50-2S



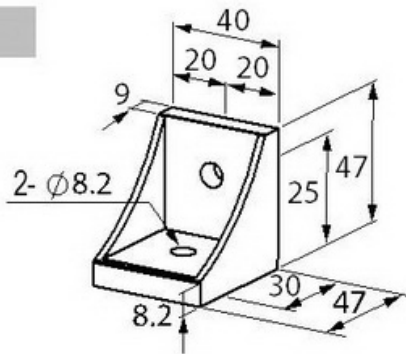
HB-50100



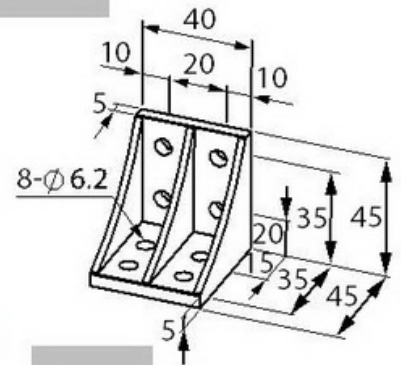
HB-50100-2S



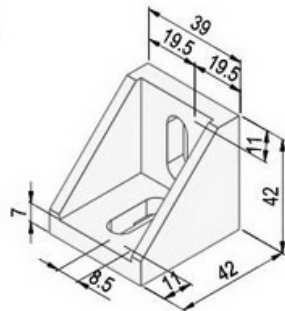
DCS-50



DCS-50-2S

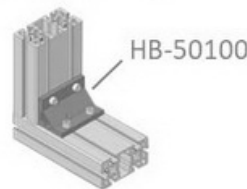


DC-40



ตัวอย่างการใช้งาน

ประกอบแนวตั้ง



ประกอบแนวนอน



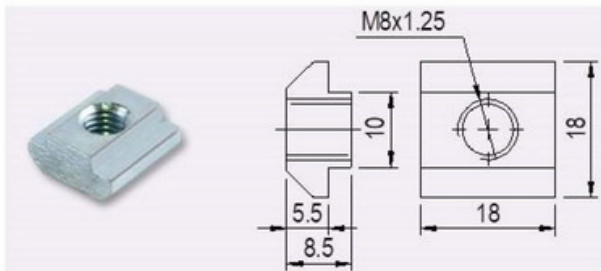
Part Number	Mass (g)	Material	Surface	Kit set (not include)		Load (N)
				Screw	T-NUT	
HB-40	66	A6N01SS-T5	Anodize	CM8-20x2	TN-40-M8x2	2058
HB-50100	181			CM8-20x4	TN-40-M8x4	2940
DCS-50	78	ADC12	-	CM8-20x2	TN-40-M8x2	2050
DC-40	62			CM6-12x8	TN-30-M6x8	2960
HB-50-2S	88	A6N01SS-T5	Anodize	CM6-15x4	TN-30-M6x4	1960
HB-50100-2S	512			CM6-20x8	TN-30-M6x8	2940
DCS-50-2S	53			ADC12	-	CM6-12x8

Order Example

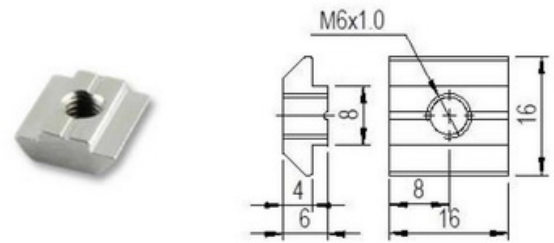
HB-50100
HB-50-2S

Delivery = 1-2 Days

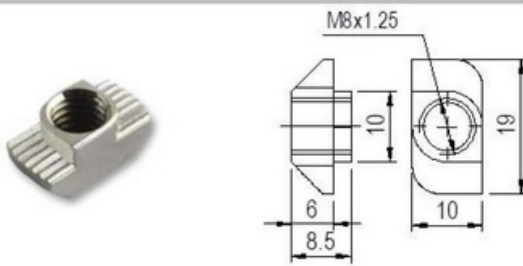
TN-40 (T-NUT-40)



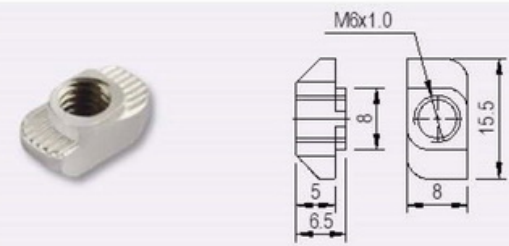
TN-30 (T-NUT-30)



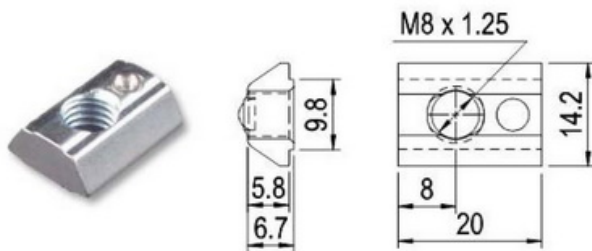
FN-40 (FREE-NUT-40)



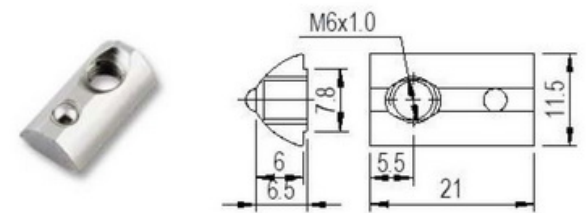
FN-30 (FREE-NUT-30)



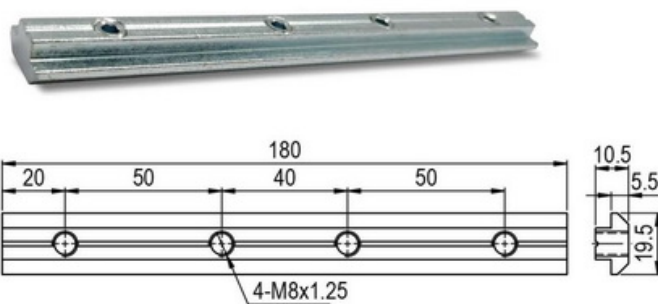
BN-40 (BALL-NUT-40)



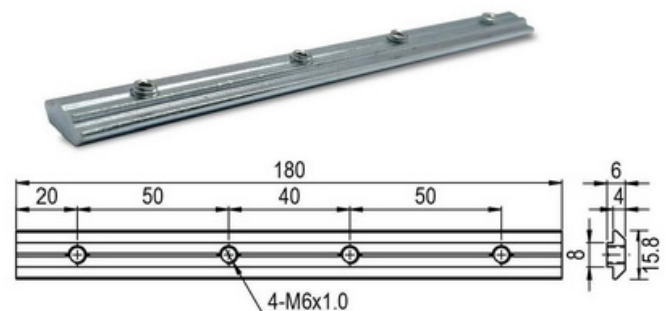
BN-30 (BALL-NUT-30)



LN-40T (LONG-NUT-40T)



LN-30T (LONG-NUT-30T)



Part Number	Mass (g)	Material	Surface Treatment	Applicable Bolts (M)	Applicable Frame
TN-40	14	S10	Uni-Chrome	M= 4 5 6 8	40, 50 Series T-slot Frame
FN-40	7				
BN-40	10			M= 8	30, 50 Series T-slot Frame
LN-40T	196				
TN-30	8	S10	Uni-Chrome	M= 3 4 5 6	30, 50 Series T-slot Frame
FN-30	4				
BN-30	6			M= 6	
LN-30T	98				

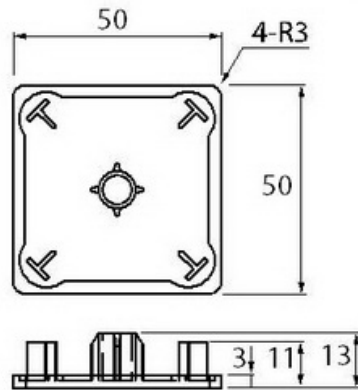
Order Example

TN-40-M8

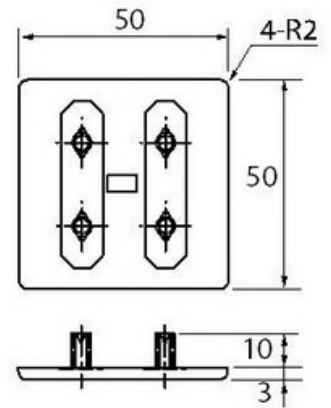
FN-30-M8

Delivery = 1-2 Days

EC-5050TM

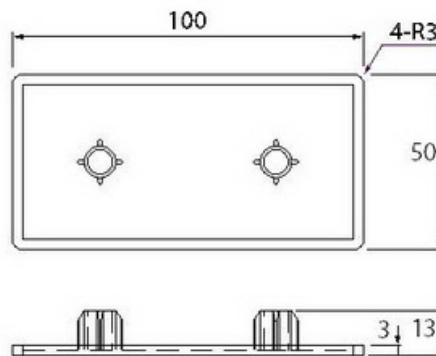


EC-5050T-2S

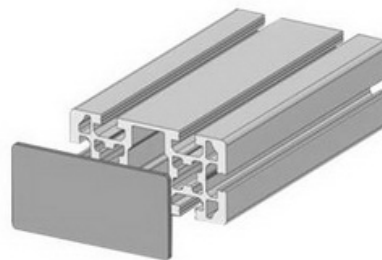
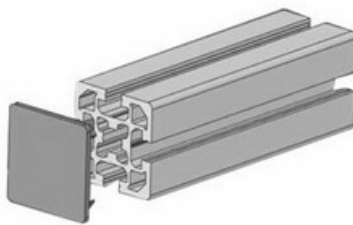


หมายเหตุ: ในการประกอบ XA-50100T-2S
ใช้ EC-5050T-2S จำนวน 2 ตัว

EC-50100TM



ตัวอย่างการใช้งาน



Part number	Mass (g)	Material	Color	Applicable Frame
EC-5050TM	8	Polyamide	Black	XA-5050TM
EC-50100TM	16			XA-50100TM
EC-5050T-2S	8			XA-5050-2S

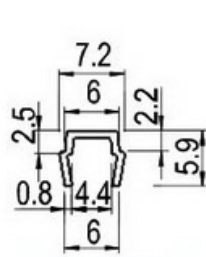
☎ Order Example

EC-5050TM
EC-5050T-2S

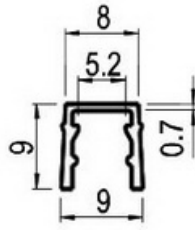
🚚 Delivery = 1-2 Days

Slot Cover

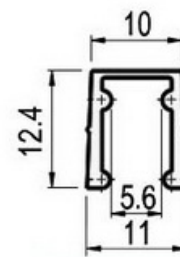
พลาสติกปิดร่อง



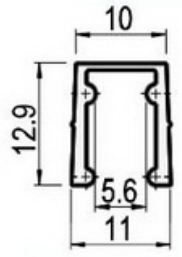
SCB-20T



SCB-30T



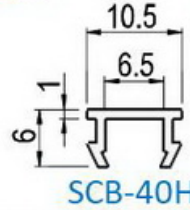
SCB-40T



SCB-45T



SCB-30H



SCB-40H



Part number	Length (m)	Color	Material	Applicable Frame
SCB-20T	2m.	Black, Grey	ABS	20 Series T-slot Frame
SCB-30T				30 Series T-slot Frame
SCB-40T				40 Series T-slot Frame
SCB-45T				45 Series T-slot Frame
SCB-30H	3m.	Black		30 Series H-slot Frame
SCB-40H				40 Series H-slot Frame

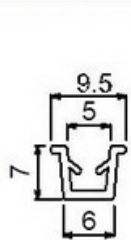
Order Example

SCB-30T-B(black)
SCB-40T-G(Grey)

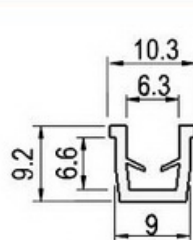
Delivery = 1-2 Days

Panel Slot Holders

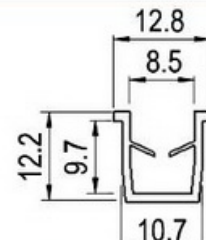
พลาสติกจับยึดแผ่นอะคริลิก



ABS-20T-AC



ABS-30T-AC



ABS-40T-AC



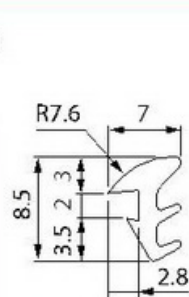
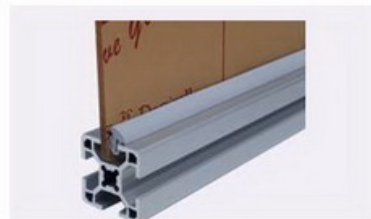
Part number	Length (m)	Color	Material	Panel thickness max(mm)	Applicable Frame
ABS-20T-AC	2m.	Black	ABS	2	20 Series T-slot Frame
ABS-30T-AC				4	30 Series T-slot Frame
ABS-40T-AC				6	40 Series T-slot Frame

Order Example

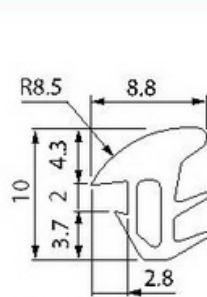
ABS-30T-AC

Delivery = 1-2 Days

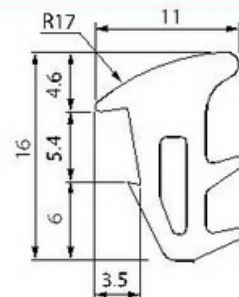
Seal ซีลยึดแผ่นอะคริลิก



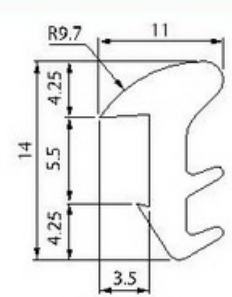
SEAL-20T3



SEAL-30T3



SEAL-40T3



SEAL-40T5

Part number	Length (m)	Color	Material	Panel thickness max(mm)	Applicable Frame
SEAL-20T3	5m.	Light Grey	Synthetic Rubber	3, 5	20, 30 Series T-slot Frame
SEAL-30T3				3	30 Series T-slot Frame
SEAL-40T3				3	40, 45 Series T-slot Frame
SEAL-40T5				5	40, 45 Series T-slot Frame

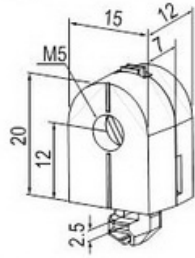
Order Example

SEAL-30T3

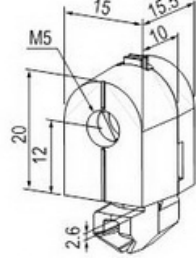
Delivery = 1-2 Days

Acrylic Holders Grey

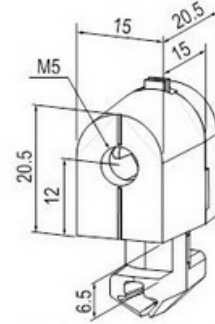
ตัวยึดแผ่นอะคริลิกสีเทา



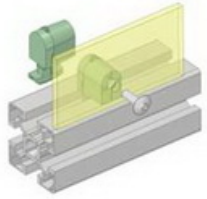
HOLDER-20TS



HOLDER-30TS



HOLDER-40TS

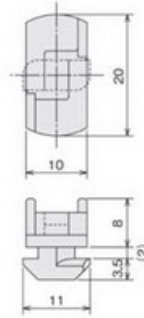


Order Example
HOLDER-30TS

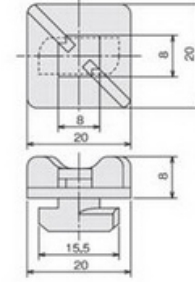
Delivery = 1-2 Days

Part number	Mass (g)	Color	Material	Applicable Frame	Kit set (not include)
HOLDER-20TS	4.0	Grey	Polyamide	20 Series T-slot Frame	JT5-12x1
HOLDER-30TS	6.0			30 Series T-slot Frame	JT5-15x1
HOLDER-40TS	8.0			40 Series T-slot Frame	

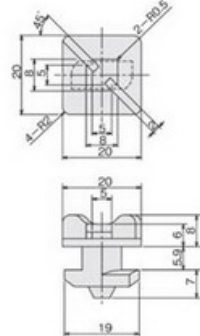
Cable clamps ตัวยึดเคเบิลไทร์



C1P-20



C1P-30



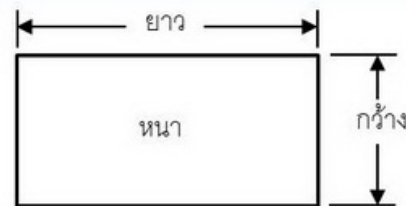
C1P-40

Order Example
C1P-30G(สีเทา)
C1P-30B(สีดำ)

Delivery = 1-2 Days

Part number	Color	Material	Applicable Frame
C1P-20	G:สีเทา B:สีดำ	Polyamide	30 Series T-slot Frame
C1P-30			40 Series T-slot Frame
C1P-40			41 Series T-slot Frame

Acrylic Sheet แผ่นอะคริลิก



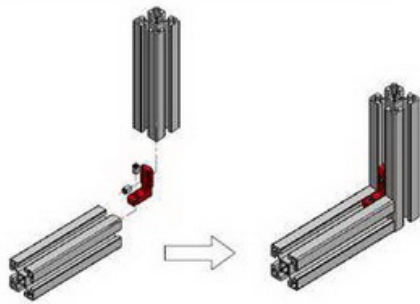
Order Example
Acrylic-P001-T3-4x8
(อะคริลิก-รหัสสี-หนา-กxย)

Delivery = 1-2 Days

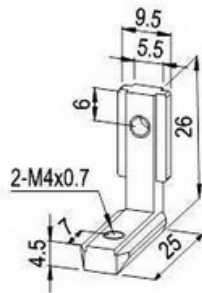
Material	Color	หนา (mm.)	ขนาด (ฟุต) กว้างxยาว
Acrylic	P-000 สีใส	2	4x8 ฟุต และ 4x6 ฟุต
	P-444P สีขาวทึบ	3	
	P-504 สีเทาทึบ	4	
	P-523 สีขาวใส	5	
	P-348 สีเขียวทึบ	6	
	P-235 สีเหลืองทึบ	8	
	P-102 สีนแดงใส	10	
	P-301 สีน้าเงินใส	12	

Blind bracket

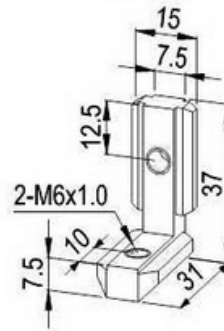
ฉากยึดแบบซ่อนมุม



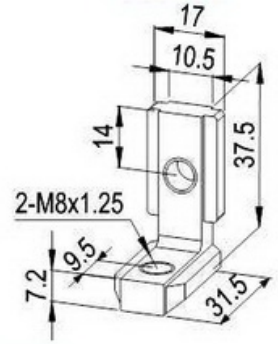
BB-20T



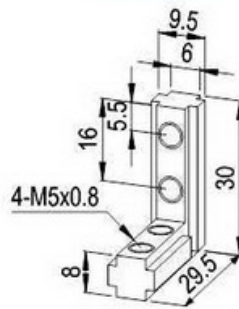
BB-30T



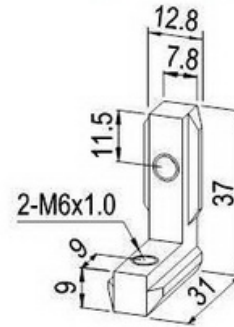
BB-40T



BB-30H



BB-40H



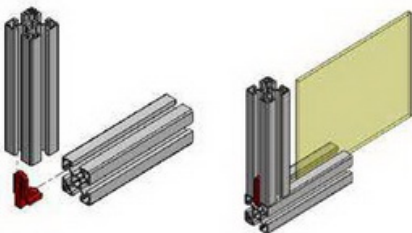
Order Example
BB-40T

Delivery = 1-2 Days

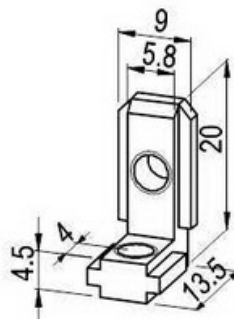
Part number	Mass (g)	Material	Application Set screw	Load (N)	Applicable Frame
BB-20T	11	SCS-13	M4-5x2	190	20 Series T-slot Frame
BB-30T	30		M6-8x2	680	30 Series T-slot Frame
BB-40T	70		M8-10x2	1270	40 Series T-slot Frame
BB-30H	26	Sinter	M5-8x2	620	30 Series T-slot Frame
BB-40H	72	Steel	M6-10x2	1200	40 Series H-slot Frame

Blind bracket For Acrylic Plate

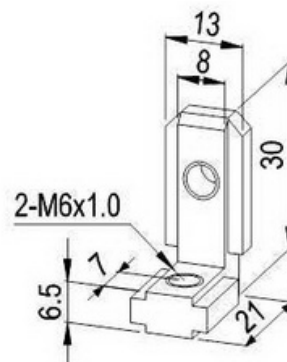
ฉากยึดแบบซ่อนมุม สำหรับแผ่นอะคริลิก



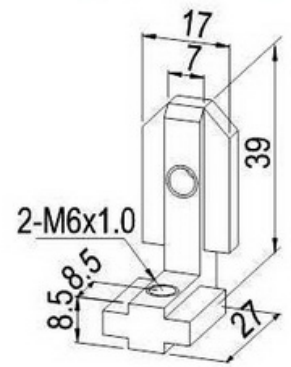
BB-20T-AC



BB-30T-AC



BB-40T-AC

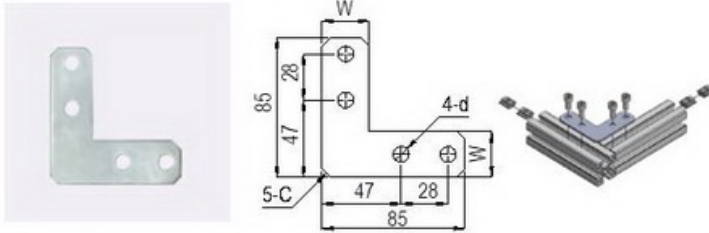


Order Example
BB-30T-AC

Delivery = 1-2 Days

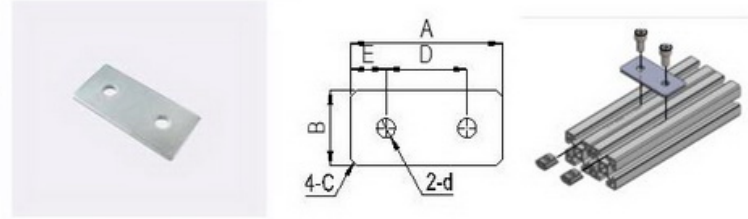
Part number	Mass (g)	Material	Application Set screw	Load (N)	Applicable Frame
BB-20T-AC	11	Sintered Steel	M4-5x2	190	20 Series T-slot Frame
BB-30T-AC	30		M6-8x2	680	30 Series T-slot Frame
BB-40T-AC	70		M6-8x2	1270	40 Series T-slot Frame

L Bracket แผ่นเหล็กฉากรูป L



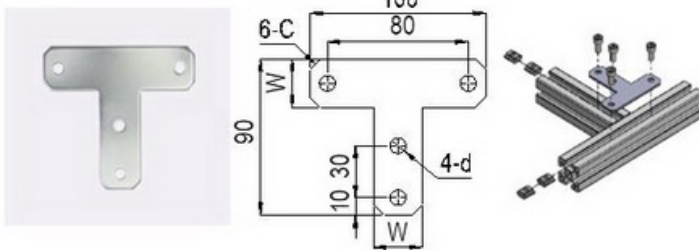
Part number	Material	Dimension				Kit set (not include)	
		t	W	d	C	Bolt	T-NUT
STL-20	SPHC	3	18	6	3	M5-8x4	TN-20-M5x4
STL-30		3	28	7	5	M6-12x4	TN-30-M6x4
STL-4045		3	28	9.0	5	M8-15x4	TN-40-M8x4
STL-20-SS	SUS304	2	18	6	3	M5-8x4	TN-20-M5x4
STL-30-SS		3	28	7	5	M6-10x4	TN-30-M6x4
STL-4045-SS		3	28	9.0	5	M8-15x4	TN-40-M8x4

I Bracket แผ่นเหล็กฉากรูป I



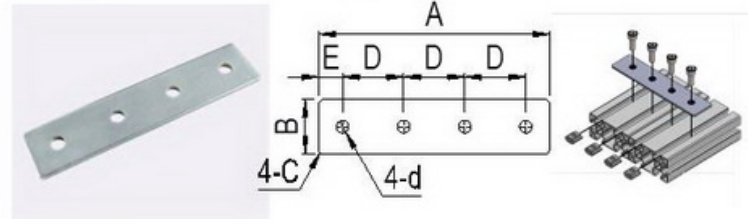
Part number	Material	Dimension (mm)							Kit set (not include)	
		t	A	B	E	D	d	C	Bolt	T-NUT
ST-2H-20	SPHC	2	36	18	8	20	6	2	M5-8x2	TN-20-M5x2
ST-2H-30		3	55	24	12.5	30	7	2	M6-12x2	TN-30-M6x2
ST-2H-40		3	75	34	18	40	9	2	M8-15x2	TN-40-M8x2
ST-2H-45		3	80	38	18	45	9	2	M8-15x2	TN-40-M8x2
ST-2H-20-SS	SUS304	2	36	16	8	20	6	2	M5-8x2	TN-20-M5x2
ST-2H-30-SS		3	55	24	12.5	30	7	2	M6-10x2	TN-30-M6x2
ST-2H-40-SS		3	75	34	17.5	40	9	2	M8-15x2	TN-40-M8x2
ST-2H-45-SS		3	80	38	17.5	45	9	2	M8-15x2	TN-40-M8x2

T Bracket แผ่นเหล็กฉากรูป T



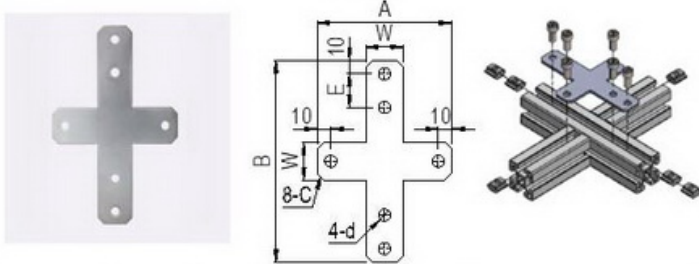
Part number	Material	Dimension				Kit set (not include)	
		t	W	d	C	Bolt	T-NUT
STT-20	SPHC	3	18	6	3	M5-8x4	TN-20-M5x4
STT-30		3	28	7	5	M6-12x4	TN-30-M6x4
STT-4045		3	28	9.0	5	M8-15x4	TN-40-M8x4
STT-20-SS	SUS304	2	18	6	3	M5-8x4	TN-20-M5x4
STT-30-SS		3	28	7	5	M6-10x4	TN-30-M6x4
STT-4045-SS		3	28	9.0	5	M8-15x4	TN-40-M8x4

Long I Bracket แผ่นเหล็กฉากรูป I ยาว



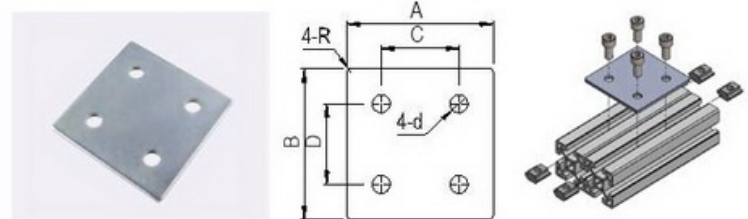
Part number	Material	Dimension (mm)							Kit set (not include)	
		t	A	B	E	D	d	C	Bolt	T-NUT
ST-4H-20	SPHC	2	80	18	10	20	6	2	M5-8x4	TN-20-M5x4
ST-4H-30		3	115	24	12.5	30	7	2	M6-12x4	TN-30-M6x4
ST-4H-40		3	155	34	18	40	9	2	M8-15x4	TN-40-M8x4
ST-4H-45		3	170	38	18	45	9	2	M8-15x4	TN-40-M8x4
ST-4H-20-SS	SUS304	2	80	16	8	20	6	2	M5-8x4	TN-20-M5x4
ST-4H-30-SS		3	115	24	12.5	30	7	2	M6-10x4	TN-30-M6x4
ST-4H-40-SS		3	155	34	17.5	40	9	2	M8-15x4	TN-40-M8x4
ST-4H-45-SS		3	170	38	17.5	45	9	2	M8-15x4	TN-40-M8x4

PLUS Bracket แผ่นเหล็กฉากรูป เครื่องหมายบวก



Part number	Material	Dimension (mm)							Kit set (not include)	
		t	A	B	W	E	d	C	Bolt	T-NUT
STP-30	SPHC	3	100	150	28	25	7	5	M6-12x6	TN-30-M6x6
STP-4045		3	100	150	28	25	9.0	5	M8-15x6	TN-40-M8x6
STP-20-SS	SUS304	2	80	130	18	30	6	3	M5-8x6	TN-20-M5x6
STP-30-SS		3	100	150	28	25	7	5	M6-10x6	TN-30-M6x6
STP-4045-SS		3	100	150	28	25	9.0	5	M8-15x6	TN-40-M8x6

Square Bracket แผ่นเหล็กฉากรูป สี่เหลี่ยมจัตุรัส



Part number	Material	Dimension (mm)							Kit set (not include)	
		t	A	B	C	D	R	d	Bolt	T-NUT
STQ-20	SPHC	2	36	36	20	20	2	6	M5-8x4	TN-20-M5x4
STQ-30		3	55	55	30	30	7	6	M6-12x4	TN-30-M6x4
STQ-40		3	75	75	40	40	2	9	M8-15x4	TN-40-M8x4
STQ-45		3	80	80	45	45	9	9	M8-15x4	TN-40-M8x4
STQ-20-SS	SUS304	2	36	36	20	20	2	6	M5-8x4	TN-20-M5x4
STQ-30-SS		3	55	55	30	30	7	6	M6-10x4	TN-30-M6x4
STQ-40-SS		3	75	75	40	40	2	9	M8-15x4	TN-40-M8x4
STQ-45-SS		3	80	80	45	45	9	9	M8-15x4	TN-40-M8x4

Order Example

STL-30
STL-30-SS (SUS304)

Delivery = 1-2 Days

Aluminum Hinge บานพับอลูมิเนียม

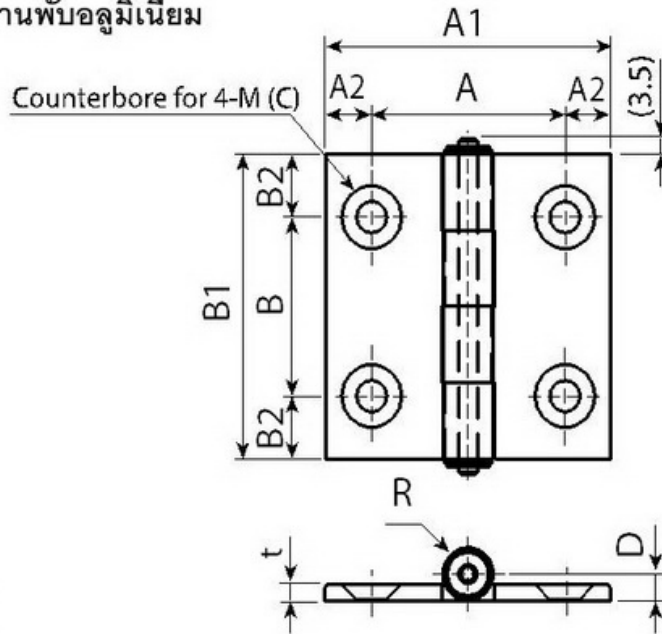


Material : AGN01SS-T5
Surface : Clear Anodize

Order Example

AH-4040

Delivery = 1-2 Days



Part Number	Mass (g)	Dimension (mm)										Loa d(N)	Applicable Frame	Kit set (not include)	
		A	B	A1	A2	B1	B2	(C)	D	t	R			Screw	T-NUT
AH-2020	27	21	25	36	7.5	47	11	5	5.6	4	5.6	49	XA-2020	JF5-8x4	TN-20-M5x4
AH-3030	35	32	30	48	8		8.5							XA-3030	JF6-12x4
AH-4040	59	42	37	62	10	63	13	6	6.1	4.5	6.1	73	XA-4040	JF6-15x4	TN-40-M6x4
AH-4545	72	47	43	80	16.5		10								

Plastic Hinge บานพับพลาสติก

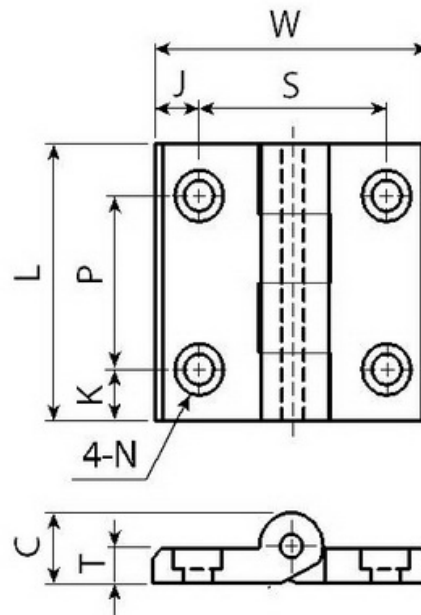


Material : Black Nylon 6
Surface : -

Order Example

PH-4040

Delivery = 1-2 Days

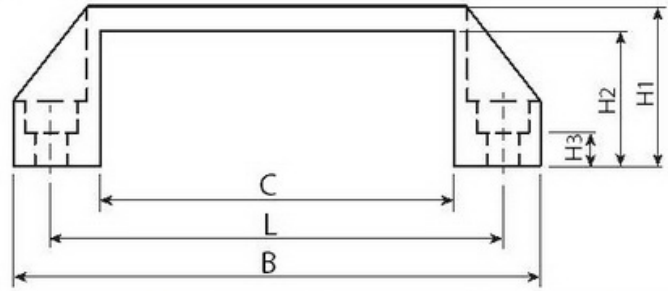
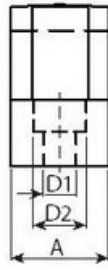


Part Number	Mass (g)	Dimension (mm)									Load (N)	Applicable Frame	Kit set (not include)	
		L	W	K	P	J	S	N	T	C			Screw	T-NUT
PH-2020	13	30.5	39	8	14.5	9.5	20	5	4	8.5	25	XA-2020	JF5-10x4	TN-20-M5x4
PH-3030	24	44	52	10	24	11	30	6.5	8	16	50	XA-3030	JF6-15x4	TN-30-M6x4
PH-4040	32	50	60		30	10	40	8.5	10	18		XA-4040	CM8-12x4	TN-40-M8x4
PH-4030	29	45	59	10.5	24.0	12	35	6.5	8	16	70	XA-4040, XA-3030	JF6-15x4	TN-40-M6x2, TN-30-M6x2

• Plastic Handle มือจับพลาสติก (ในลอน)



Material : Black Nylon 6
Color : Black



☎ Order Example

HD-180L

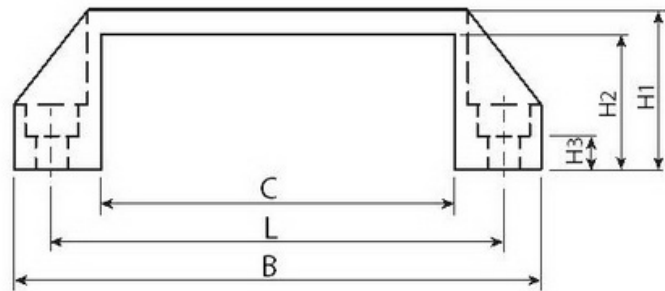
🚚 Delivery = 1-2 Days

Part Number	Mass (g)	Dimension (mm)									Kit set (not include)		
		A	B	C	L	D1	D2	H1	H2	H3	Bolt	Free-Nut	Series
HD-90L	105	21	102	64	86	7.3	12	36	30	5	CM5-10x2	FN-20-M5x2	20
											CM6-12x2	FN-30-M6x2	30
HD-120L	140	25	138	99	117	8.2	15	40	33	6.4	CM8-16x2	FN-40-M8x2	40
HD-180L	70	28	197	143	180	8.8	14	51	43	9.0	CM8-20x2		

• Aluminum Handle มือจับอลูมิเนียม



Material : Black Baked Aluminum
Color : Black



☎ Order Example

HA-120L

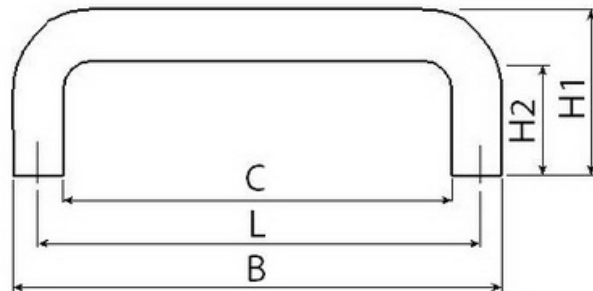
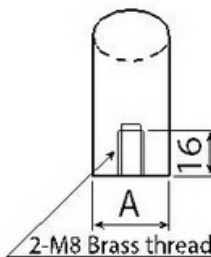
🚚 Delivery = 1-2 Days

Part Number	Mass (g)	Dimension (mm)									Kit set (not include)		
		A	B	C	L	D1	D2	H1	H2	H3	Bolt	Free-Nut	Series
HA-90L	105	20	106	72	90	6.5	12	36	30	5	CM5-10x2	FN-20-M5x2	20
											CM6-12x2	FN-30-M6x2	30
HA-120L	140	25	140	99	120	8.2	15	39	33	6	CM6-15x2	FN-40-M8x2	40
											CM8-16x2		

• Bakelite Handle มือจับพลาสติก (เบกาไลท์)



Material : Bakelite (Phenol Resin)
Color : Black



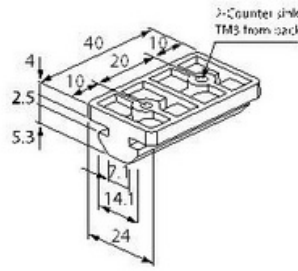
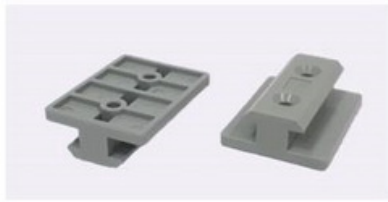
☎ Order Example

HM-120L

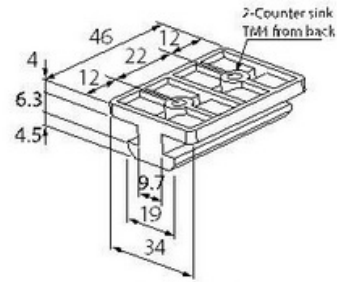
🚚 Delivery = 1-2 Days

Part Number	Mass (g)	Dimension (mm)						Kit set (not include)	
		A	B	C	L	H1	H2	Bolt	Free-Nut
HM-90L	90	23	105	74	90	41	25	CM8-20x2	-
HM-120L	140	27	137	100	120	53	34	CM8-20x2	-

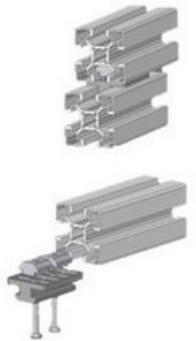
Slider ตัวยึดเฟรมสไลด์



SLIDER-30T



SLIDER-40T



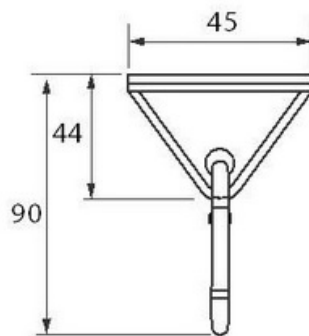
Order Example
SLIDER-40T

Delivery = 1-2 Days

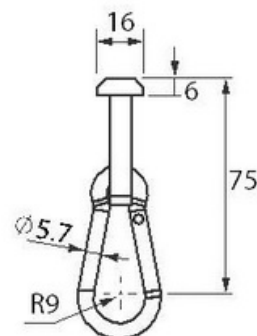
Part number	Color	Material	Applicable Frame	Kit set (not include)	
				Bolt	T-NUT
SLIDER-30T	Light	Polyacetal	30 Series T-slot Frame	TSM3-20x2	TN-30-M3x2
SLIDER-40T	Grey		40 Series T-slot Frame	TM4-25x2	TN-40-M4x2

Sliding Hanger ตัวแขวนแบบสไลด์

ตัวแขวนแบบสไลด์



SLIDING HANGER-3040T



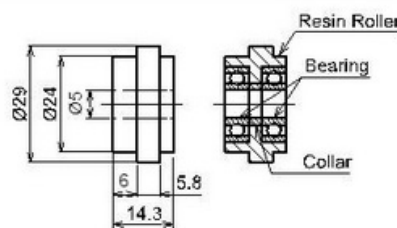
Order Example
HANGER-3040T

Delivery = 1-2 Days

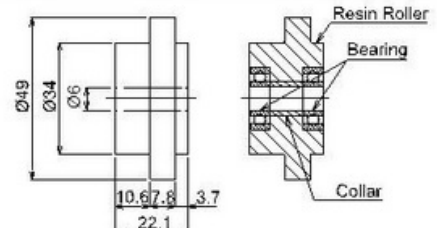
Roller ล้อสำหรับอลูมิเนียมโปรไฟล์



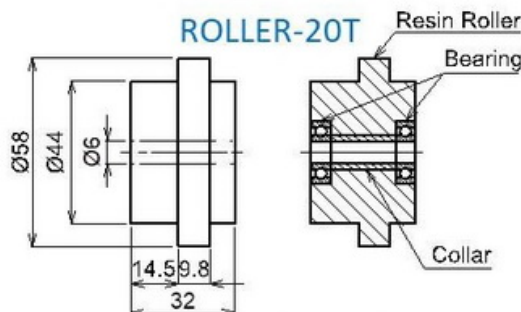
แถมแหวนหนา 1 อัน



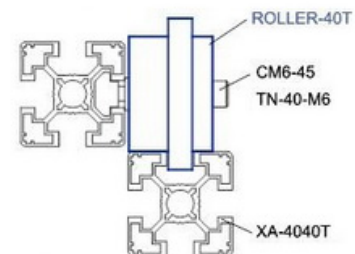
ROLLER-20T



ROLLER-30T



ROLLER-40T



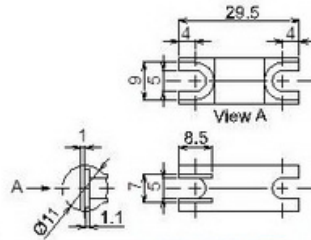
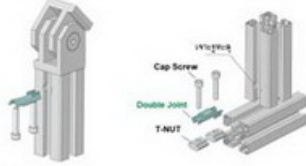
ตัวอย่างการประกอบ

Order Example
ROLLER-40T

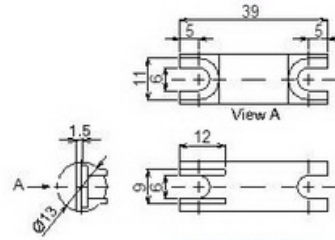
Delivery = 1-2 Days

Part number	Material	Applicable Frame	Kit set (not include)	
			Bolt	T-NUT
ROLLER-20T	6 NYLON	20 Series T-slot Frame	CM5-20x1	TN-20-M5x1
ROLLER-30T	STEEL	30 Series T-slot Frame	CM6-30x1	TN-30-M6x1
ROLLER-40T	(Bearing)	40 Series T-slot Frame	CM6-45x1	TN-40-M6x1

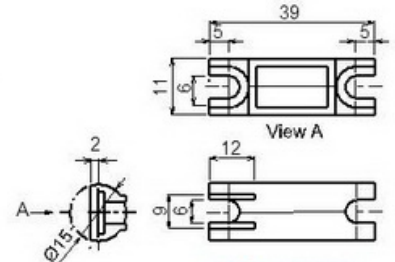
• Double Joint



DJ-30-SS



DJ-40-SS



DJ-45-SS

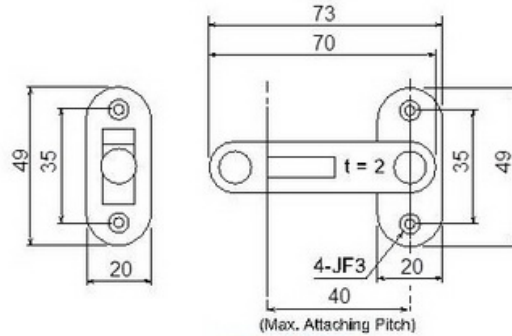
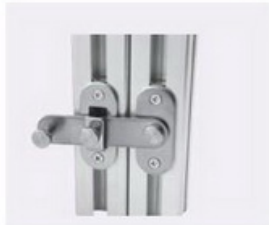
Part number	Material	Kit set (not include)		Frame Drilling
		Bolt	T-NUT	
DJ-30-SS	Stainless	CM5-25x2	TN-30-M5x2	∅ 11.1x15
DJ-40-SS		CM6-30x2	TN-40-M6x2	∅ 13.1x20
DJ-45-SS				∅ 15.1x20

Order Example

DJ-30-SS

Delivery = 1-2 Days

• Door Lock ตัวยึดประตู



DL-2030

Order Example

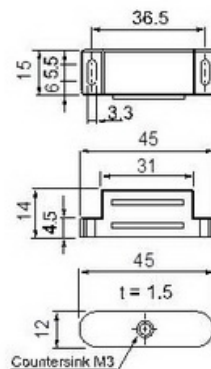
DL-2030

Delivery = 1-2 Days

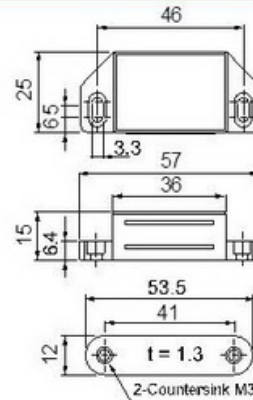
Part number	Material	Applicable Frame	Kit set (not include)	
			Bolt	T-NUT
DL-2030	Stainless	20 Series T-slot Frame	JF3-6x4	TN-20-M3x4
		30 Series T-slot Frame	JF3-8x4	TN-30-M3x4
		40 Series T-slot Frame	JF3-10x4	TN-40-M3x4

• Magnet-M,-L

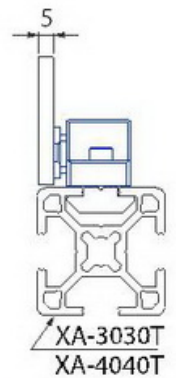
แม่เหล็ก-M,-L



MAGNET-M



MAGNET-L



ตัวอย่างการประกอบ

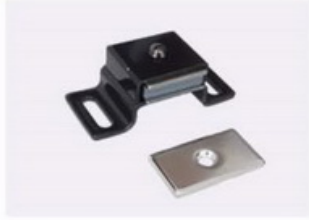
Order Example

MAGNET-M-SET20-T
MAGNET-L-SET40-T

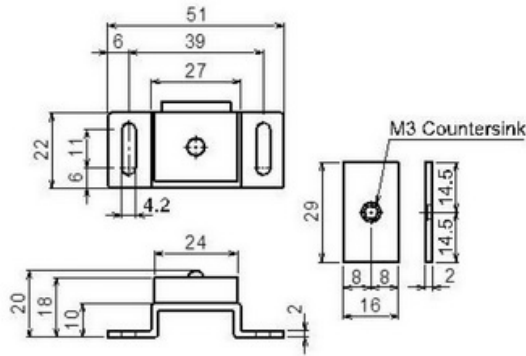
Delivery = 1-2 Days

Part number	Kit set (Include)				
	Screw	Hex. Nut	Bolt	NUT	Series
MAGNET-M-SET20-T	JF3-10x1	Hex. Nut M3x1	JF3-10x2	TN-20-M3x2	20
MAGNET-M-SET30-T			CM3-12x2	TN-30-M3x2	30
MAGNET-L-SET30-T	JF3-10x2	Hex. Nut M3x2	CM3-10x2	TN-30-M3x2	30
MAGNET-L-SET40-T			CM3-12x2	TN-40-M3x2	40

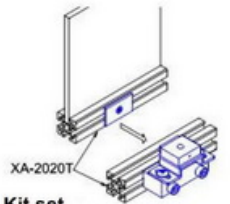
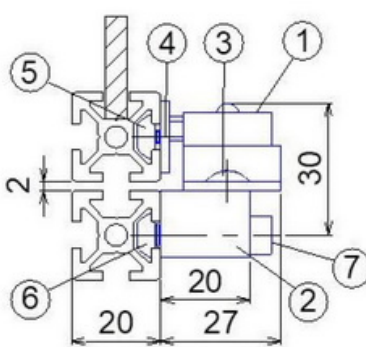
● Magnet-N แม่เหล็ก รุ่น "N"



Mat : SUS304
Color : Dark Brown
Pull Force : 29.4 N.

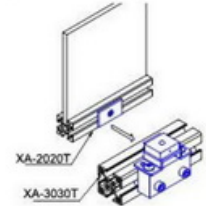
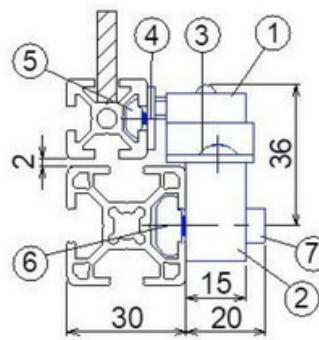


● MAG-2020T-SET ชุดแม่เหล็ก 2020T



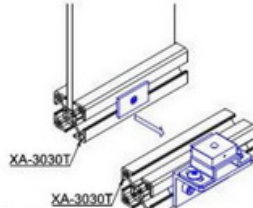
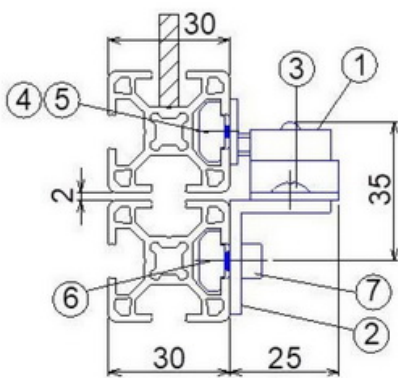
- Kit set**
- ① Magnet-Nx1
 - ② MAG Bracket-2020Tx1
 - ③ JT4-5x2
 - ④ JF3-6x1
 - ⑤ TN-20-M3x1
 - ⑥ TN-20-M5x2
 - ⑦ CM5-25x2

● MAG-2030T-SET ชุดแม่เหล็ก 2030T



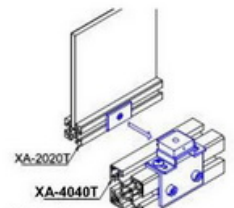
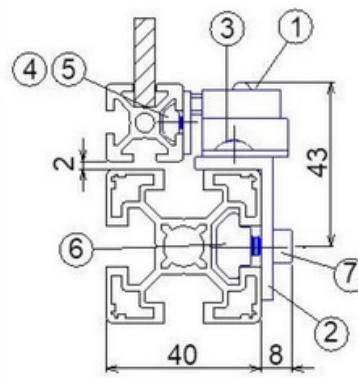
- Kit set**
- ① Magnet-Nx1
 - ② MAG Bracket-2030Tx1
 - ③ JT4-5x2
 - ④ JF3-6x1
 - ⑤ TN-20-M3x1
 - ⑥ TN-30-M5x2
 - ⑦ CM5-22x2

● MAG-3030T-SET ชุดแม่เหล็ก 3030T



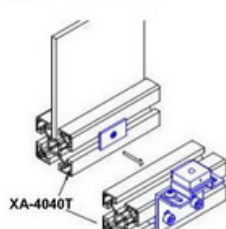
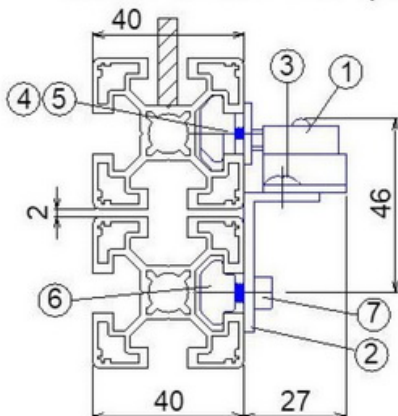
- Kit set**
- ① Magnet-Nx1
 - ② MAG Bracket-3030Tx1
 - ③ JT4-5x2
 - ④ JF3-8x1
 - ⑤ TN-30-M3x1
 - ⑥ TN-30-M5x2
 - ⑦ CM5-10x2

● MAG-2040T-SET ชุดแม่เหล็ก 2040T



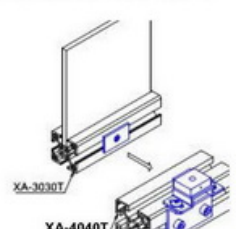
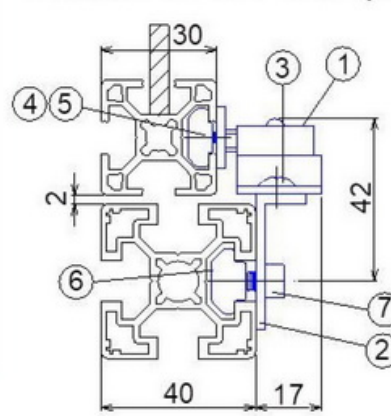
- Kit set**
- ① Magnet-Nx1
 - ② MAG Bracket-2040Tx1
 - ③ JT4-5x1
 - ④ JF3-6x1
 - ⑤ TN-20-M3x1
 - ⑥ TN-40-M5x1
 - ⑦ CM5-15x2

● MAG-4040T-SET ชุดแม่เหล็ก 4040T



- Kit set**
- ① Magnet-Nx1
 - ② MAG Bracket-4040Tx1
 - ③ JT4-5x2
 - ④ JF3-10x1
 - ⑤ TN-40-M3x1
 - ⑥ TN-40-M5x2
 - ⑦ CM5-15x2

● MAG-3040T-SET ชุดแม่เหล็ก 3040T



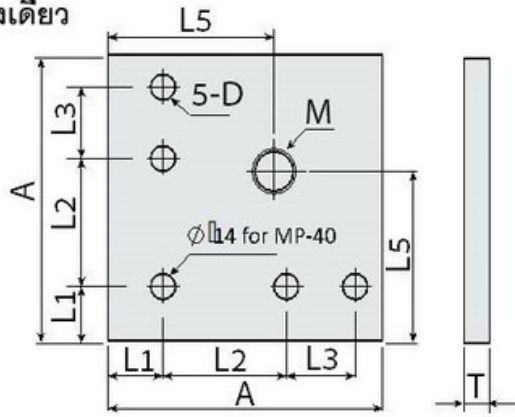
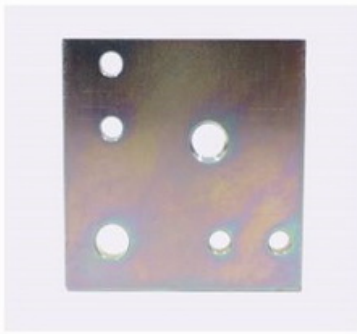
- Kit set**
- ① Magnet-Nx1
 - ② MAG Bracket-3040Tx1
 - ③ JT4-5x2
 - ④ JF3-8x1
 - ⑤ TN-30-M3x1
 - ⑥ TN-40-M5x2
 - ⑦ CM5-12x2

Order Example

MAG-3030T-SET-F

Delivery = 1-2 Days

Adjuster Plate แผ่นยึดขาตั้งเดี่ยว



Order Example

MPS-30 (SUS304)
MP-40

Delivery = 1-2 Days

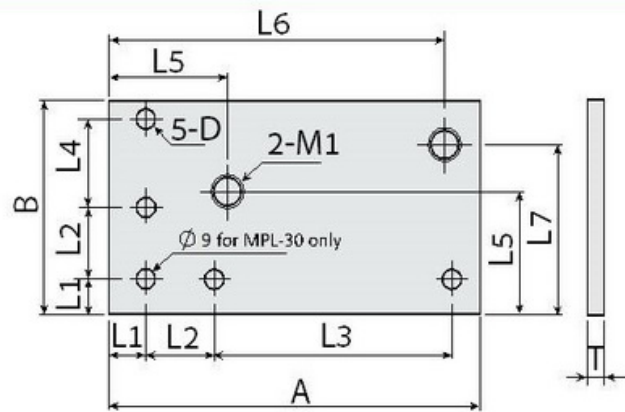
Part number	Material	Dimension (mm)									Mass (g)	Kit set (not include)	
		A	T	M	D	L1	L2	L3	L5	Bolt		T-Nut	
MPS-20	SUS304	75	6	12	6	8	30	27	43	240	CM5-10x4	TN-20-M5x4	
MPS-30					7	13	25	31					
MP-40	SS400/UNI CROME	100	9	16	9	20	45	25	60	650	CM8-20x4	TN-40-M8x4	

Adjuster-Caster Plate แผ่นยึดขาตั้งและล้อ

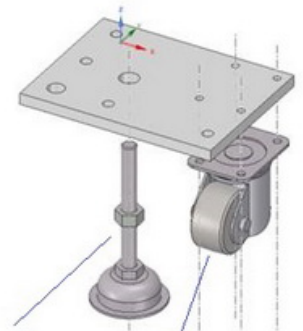
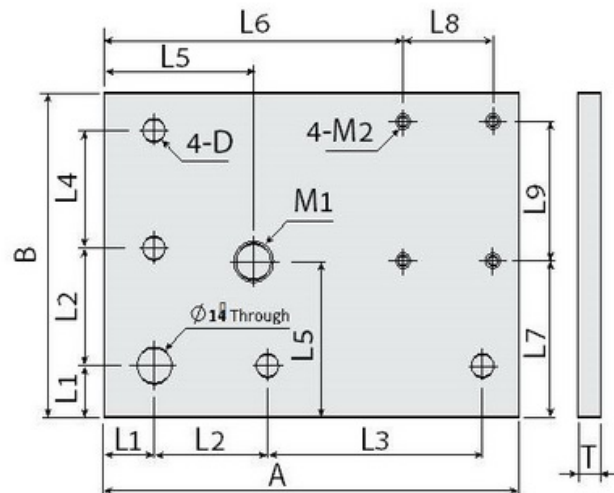
แผ่นยึดขาตั้งและล้อ



MPL-20, MPL-30



MPL-40



Order Example

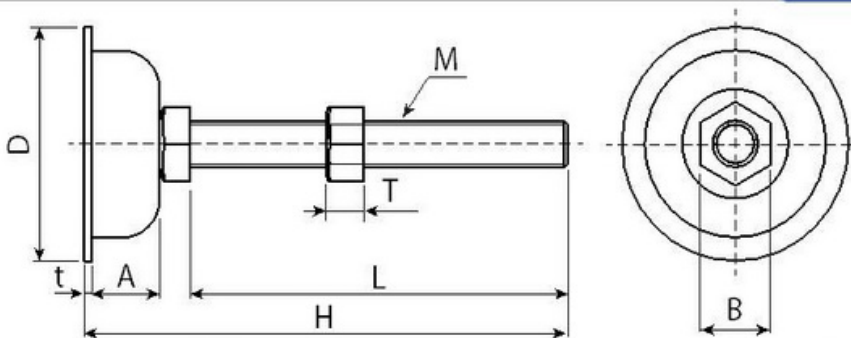
MPL-40
MPLS-40 (SUS304)

Delivery = 1-2 Days

Part Number	Material	Dimension (mm)															Mass (g)	Kit set (not include)	
		A	B	T	M1	M2	D	L1	L2	L3	L4	L5	L6	L7	L8	L9		Bolt	T-Nut
MPL-20	SS400/ SUS304	135	75	6	12	-	6	8	30	27	43	122	60	-	-	450	CM5-10x4	TN-20-M5x4	
MPL-30					12	-	7	13	25	31	43	122	60	-	-	440	CM6-12x4	TN-30-M6x4	
MPL-40		16	6	9	20	45	86	45	60	120	61	36	54	1030	CM8-20x4	TN-40-M8x4			

Adjuster Pad-Standard

ขาฉิ่งมาตรฐาน



Part number	Material	Dimension (mm)								Load (kg)	
		M	L	H	D	A	t	T	B		
APC-M5-60L	SS400 with bright chromate	5	60	70	30	5.4	1.6	4	8	100	
APC-M8-50L		8	50	68	38	11		7	13	390	
APC-M8-100L			100	118				8	17	430	
APC-M10-75L			10	75	95	60	18	2	10	19	490
APC-M12-75L			12	75	103						
APC-M12-100L			12	100	128						
APC-M12-150L				150	178	75	20	13	24	590	
APC-M16-75L			16	75	103						
APC-M16-100L			16	100	132						
APC-M16-150L				150	182	75	20	16	30	880	
APC-M20-100L		20	100	135							
APC-M8-50L-SS	SUS304	8	50	75	40						15
APC-M10-75L-SS		10	75	95	50	12	1.6	8	17	430	
APC-M12-100L-SS		12	100	125				10	19	490	
APC-M16-130L-SS		16	130	162	76	15	2	13	24	590	
		16	130	162	76	15	2	13	24	590	

Order Example

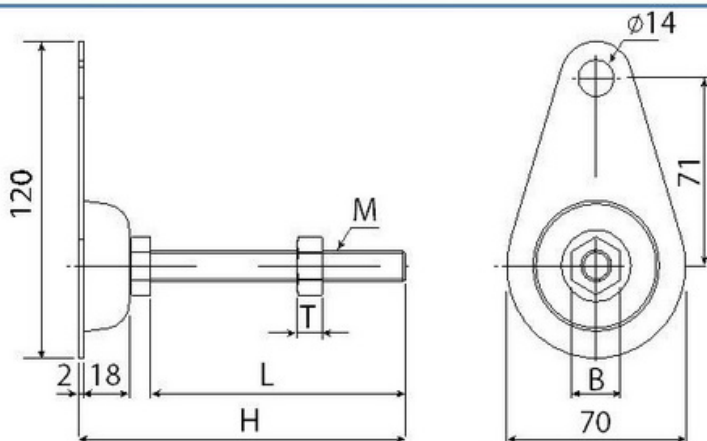
APC-M12-100L

APC-M12-100L-SS (SUS304)

Delivery = 1-2 Days

Adjuster Pad-Fixed

ขาฉิ่งยึดฟูกทรงหยดน้ำ



Part number	Material	Dimension (mm)					Load (kg)
		M	L	H	T	B	
APV-M10-75L	SS400 with bright chromate	10	75	102	8	17	430
APV-M10-100L			100	127			
APV-M12-50L		12	50	75	10	19	490
APV-M12-100L			100	150			
APV-M12-150L			150	178			
APV-M16-100L		16	115	150	12.5	24	590
APV-M16-150L	150		180	13			
APV-M20-100L	20	100	133	16	30	880	
APV-M12-100L-SS	SUS304	12	115	150	10	19	490
APV-M16-100L-SS		16			12.5	24	590
APV-M20-130L-SS		20	120	150	16	30	880

Order Example

APV-M12-50L

APV-M12-50L-SS (SUS304)

Delivery = 1-2 Days

Adjuster Pad-Rubber Base

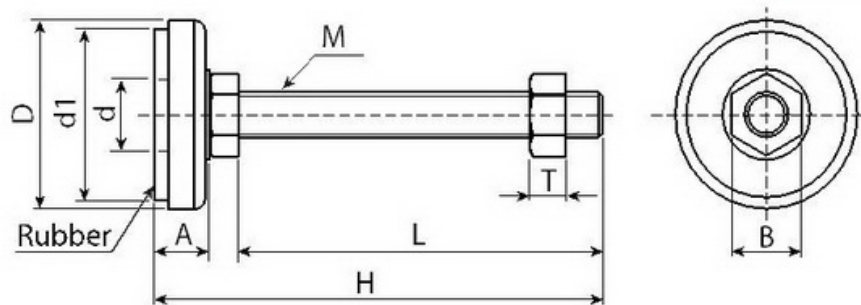
ขาตั้งพื้นยาง



☎ Order Example

APR-M12-100L

🚚 Delivery = 1-2 Days



Part number	Material	Dimension (mm)								Load (kg)
		M	L	H	D	d1	d	A	B	
APR-M8-60L	SS400 with Black coating	8	60	79	40	36	15	14	13	400
APR-M10-75L		10	75	96		46		17		
APR-M12-70L		12	70	94		50		19		
APR-M12-100L		16	100	127	60	56	20	17	24	440
APR-M16-100L		20		130						

Adjuster Pad-Free Ankle

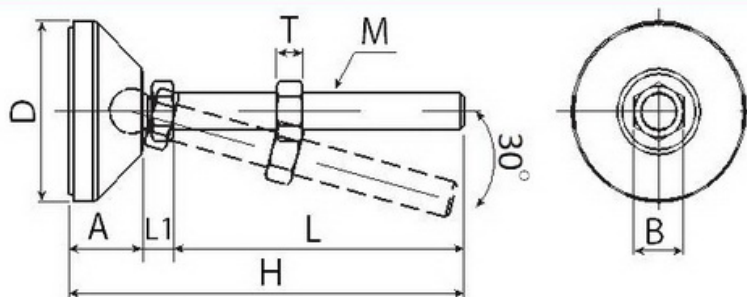
ขาตั้งปรับมุม



☎ Order Example

APF-M12-150L

🚚 Delivery = 1-2 Days



Part number	Material	Dimension (mm)								Load (kg)
		M	L	H	D	A	L1	T	B	
APF-M8-50L	SS400 with Zinc Plaing	8	50	81	50	20	11	5	13	120
APF-M10-50L		10	100	138	60	25	13	6	17	
APF-M12-100L		12	150	188				8	19	
APF-M12-150L		16	100	139				60	24	15
APF-M16-100L		16	150	189						

Adjuster Pad-Non Slip

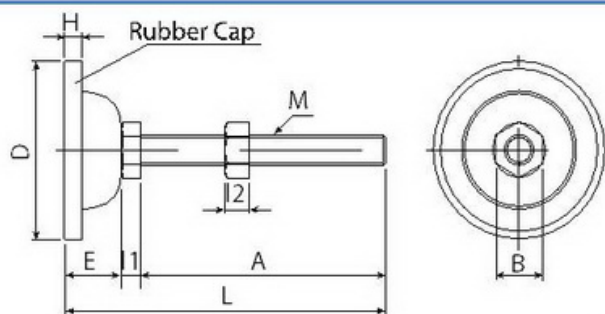
ขาตั้งกันลื่น



☎ Order Example

APN-M12-100L

🚚 Delivery = 1-2 Days



Part number	Material	Dimension (mm)									Load (kg)
		M	A	L	D	E	H	I1	I2	B	
APN-M8-50L	SS400 with brigh chromate	8	50	70.5	45	15	6	5.5	6.5	13	390
APN-M10-75L		10	100	72	70	23	7	7	8	17	430
APN-M12-100L		12	150	181				8	10	19	490
APN-M12-150L		16	100	135				80	25	8	10
APN-M16-100L		16	150	185							

• Casters Light Load

ล้อไหลดเบา

Wheel Tread : Rubber Black
Housing : HPCC, Chromium
Bearing : Nylon Bushing
Brake : Wheel Brake



• Swivel type ล้อแป้น



• Fixed type ล้อตาย



• Swivel type with Stopper ล้อแป้นมีเบรก

Part number	Caster Type	Dimension (mm)						Load (kg)
		D	W	H	AxB	CxD	d	
CTPU-2-S	• ล้อแป้น	50	19	67	59x47	46x35	6.3	45
CTPU-3-S		75	20	92.5				65
CTPU-2-F	• ล้อตาย	50	19	67	58x40	44x25		45
CTPU-3-F		75	20	92.5				65
CTPU-2-SB	• ล้อแป้นมีเบรก	50	19	67	59x47	46x35		45
CTPU-3-SB		75	20	92.5				60

• Casters Light/Medium Load

ล้อไหลดเบา/ ปานกลาง

Wheel Tread : Polyurethane
Housing : Steel, Zinc
Bearing : Steel bearing
Brake : 2 Step Brake



• Swivel type ล้อแป้น



• Fixed type ล้อตาย



• Swivel type with Stopper ล้อแป้นมีเบรก

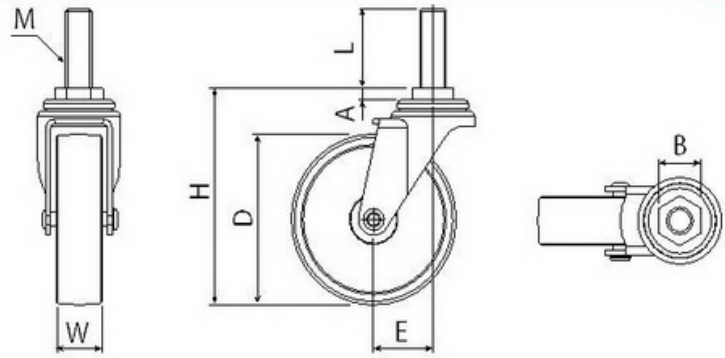
Part number	Caster Type	Dimension (mm)						Load (kg)
		D	W	H	AxB	CxD	d	
CPU-3-S-OR	• ล้อแป้น	75	31	105	93x62	70x44	8.3	80
CPU-4-S-OR		100		130				100
CPU-5-S-OR		125		155				120
CPU-3-F-OR	• ล้อตาย	75	31	105	93x62	70x44	8.3	80
CPU-4-F-OR		100		130				100
CPU-5-F-OR		125		155				120
CPU-3-SB-OR	• ล้อแป้นมีเบรก	75	31	105	93x62	70x44	8.3	80
CPU-4-SB-OR		100		130				100
CPU-5-SB-OR		125		155				120

☎ Order Example : CPU-3-SB

🚚 Delivery = 1-2 Days



● Swivel type ล้อเป็นแบบเกลียว



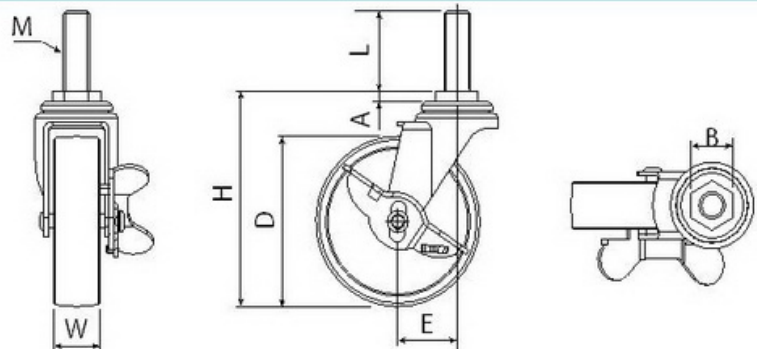
Part number	Wheel Material	Dimension (mm)								Load (kg)	
		D	H	W	E	M	L	A	B		
CBR-2-M8	Black Synthetic Rubber	50	68	20	22	8	14	4.8	14	40	
CBR-2-M12		65	85	21	23	12	35		19		45
CBR-2.5-M12		75	95	21	27			4	21	70	
CBR-3-M12		100	126	25	31				16		
CBR-4-M12											
CBR-4-M16					16	40					
CGU-2-M8	Grey Urethane	50	68	20	22	8	14	4.8	14	40	
CGU-2-M12		65	85	21	23	12	35		19		45
CGU-2.5-M12		75	95	21	27			4	21	70	
CGU-3-M12		100	126	25	31				16		
CGU-4-M12											
CGU-4-M16					16	40					

☎ Order Example

CGU-3-M12

🚚 Delivery = 1-2 Days

● Swivel type with Stopper ล้อเป็นแบบเกลียวมีเบรก



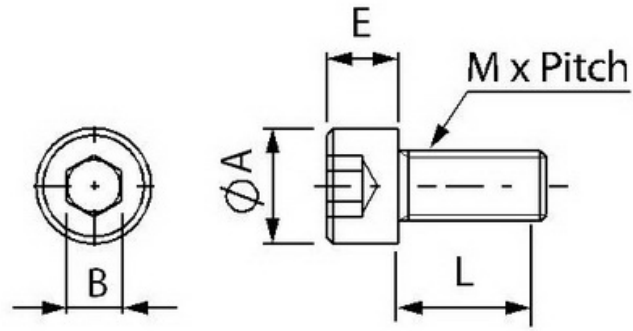
Part number	Wheel Material	Dimension (mm)								Load (kg)	
		D	H	W	E	M	L	A	B		
CBR-2-M8B	Black Synthetic Rubber	50	68	20	22	8	14	4.8	14	40	
CBR-2-M12B		65	85	21	23	12	35		19		45
CBR-2.5-M12B		75	95	21	27			4	21	70	
CBR-3-M12B		100	126	25	31				16		
CBR-4-M12B											
CBR-4-M16B					16	40					
CGU-2-M8B	Grey Urethane	50	68	20	22	8	14	4.8	14	40	
CGU-2-M12B		65	85	21	23	12	35		19		45
CGU-2.5-M12B		75	95	21	27			4	21	70	
CGU-3-M12B		100	126	25	31				16		
CGU-4-M12B											
CGU-4-M16B					16	40					

☎ Order Example

CBR-3-M12B

🚚 Delivery = 1-2 Days

• สกรูหัวจม Hexagon Socket Head Cap Screw



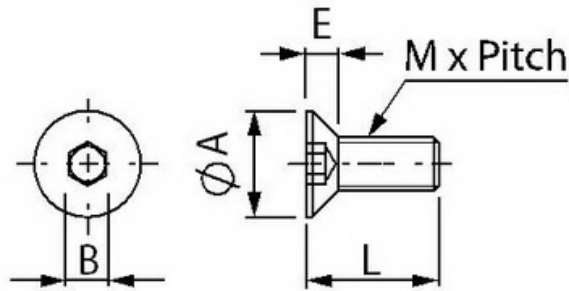
☎ Order Example

CM6-12
CSM5-14(Stainless)

🚚 Delivery = 1-2 Days

Part number	M x Pitch	ความยาว	Material	Dimension (mm)		
				A	E	B
CM5	5x0.8	8, 10, 12	SCM435 Sinc Plating	8.5	5	4
CM6	6x1.0	12, 15, 16		10	6	5
CM8	8x1.25	12, 15, 16, 20		13	8	6
CSM5	5x0.8	14	SUS304	8.5	5	4

• สกรูหัวจมเตปเปอร์ Hexagon Socket Flat Head Cap Screw



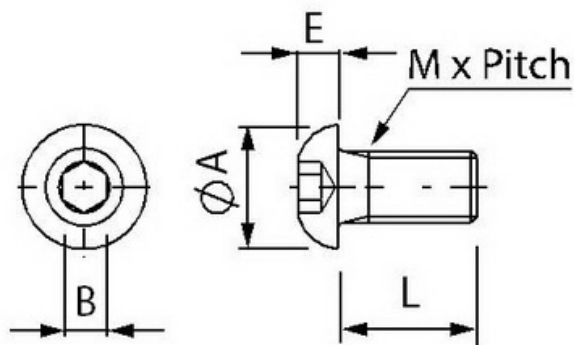
☎ Order Example

TM6-15

🚚 Delivery = 1-2 Days

Part number	M x Pitch	ความยาว	Material	Dimension (mm)		
				A	E	B
TM3	3x0.5	20	SWCH	6	1.8	2
TM4	4x0.7	8, 12, 25		8	2.5	2.5
TM5	5x0.8	12, 16		10	3.0	3
TM6	6x1.0	15, 20		12	3.7	4

• สกรูหัวจมกลม Hexagon Socket Bottom Head Cap Screw



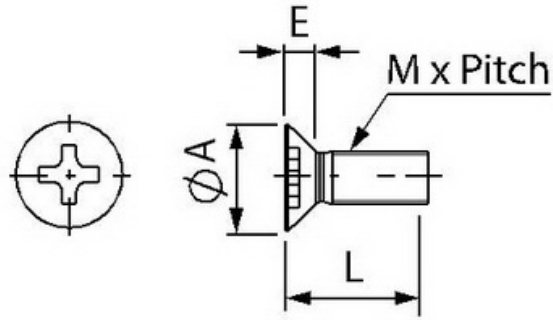
☎ Order Example

BM6-20

🚚 Delivery = 1-2 Days

Part number	M x Pitch	ความยาว	Material	Dimension (mm)		
				A	E	B
BM5	5x0.8	10, 12, 15	SWCH	9.5	2.8	3
BM6	6x1.0	20, 25		10.5	3.4	4

• สกรูแฉกหัวเตเปอร์ Cross Recess Flat Head Screw

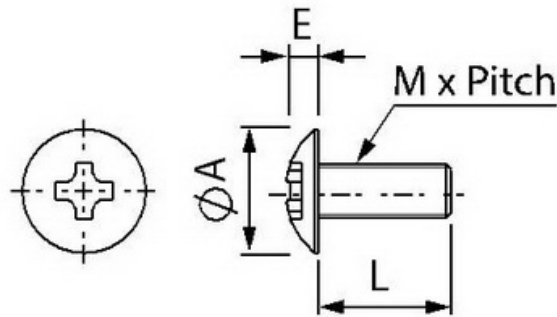


☎ Order Example
JF5-8

🚚 Delivery = 1-2 Days

Part number	M x Pitch	ความยาว L	Material	Dimension (mm)	
				A	E
JF5	5x0.8	8, 10	SWCH	10	2.8
JF6	6x1.0	12, 15		12	3.4

• สกรูแฉกหัวร่ม Cross Recess Truss Head Screw

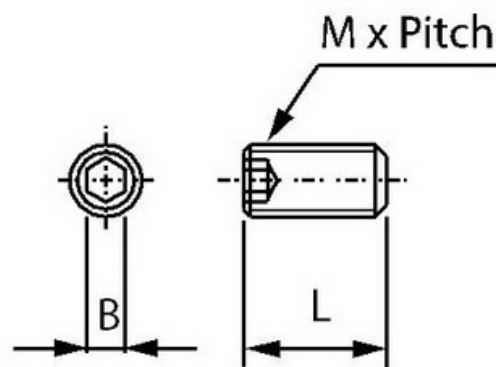


☎ Order Example
JT6-20

🚚 Delivery = 1-2 Days

Part number	M x Pitch	ความยาว L	Material	Dimension (mm)	
				A	E
JT5	5x0.8	10, 12, 15	SWCH	11.8	3
JT6	6x1.0	20, 25		14	3.6

• สกรูตัวหนอน Hexagon Socket Set Screw

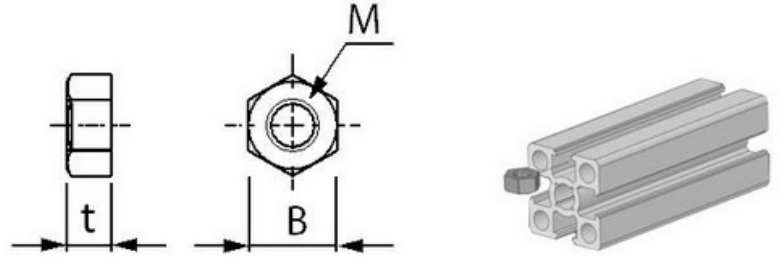


☎ Order Example
WS6-10

🚚 Delivery = 1-2 Days

Part number	M x Pitch	ความยาว L	Material	Dimension (mm)
				B
WS4	4x0.7	5	SWCH	2.5
WS5	5x0.8	6		3
WS6	6x1.0	8, 10		4
WS8	8x1.25	8, 12		5

● นัทตัวเมียหกเหลี่ยม Hexagon Nut



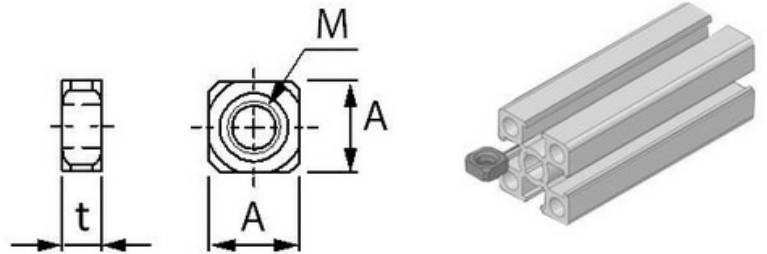
☎ Order Example

HEX. NUT M5

🚚 Delivery = 1-2 Days

Part number	Dimension (mm)			Material
	M	B	t	
HEX. NUT M5	5	8	4	SCM435 Sinc Plating
HEX. NUT M6	6	10	5	
HEX. NUT M8	8	13	6.5	

● นัทตัวเมียสี่เหลี่ยม Square Nut



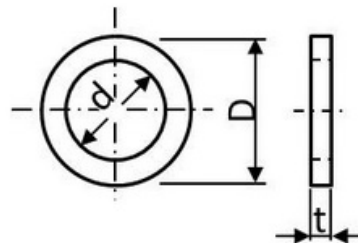
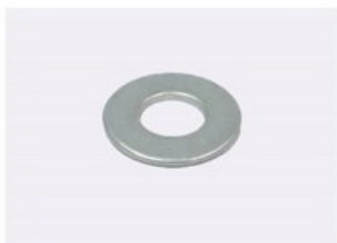
☎ Order Example

SQ-NUT-30H-M6

🚚 Delivery = 1-2 Days

Part number	Dimension (mm)			Material
	M	A	t	
SQ-NUT-20H	4	7.8	3.2	SCM435 Sinc Plating
SQ-NUT-30H	4, 5, 6	9.9	4.8	
SQ-NUT-40H	8	12.8	6	

● แหวนอีแปะ Plain washer



☎ Order Example

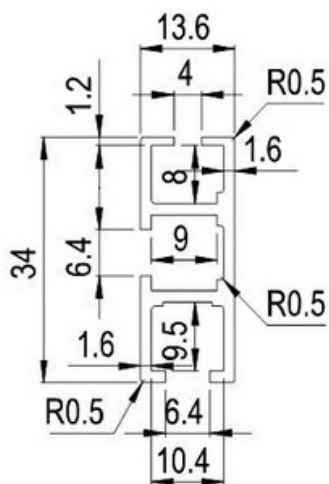
WM6 (SPCC)

WM6-SS (Stainless)

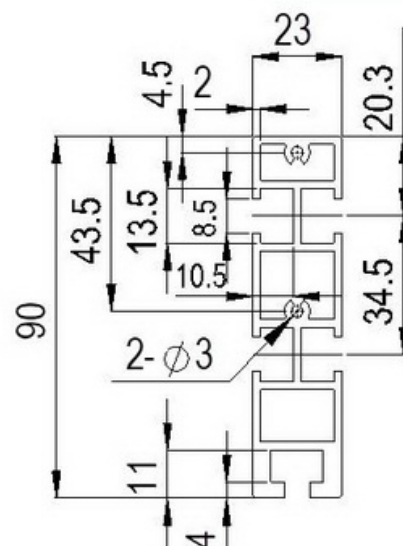
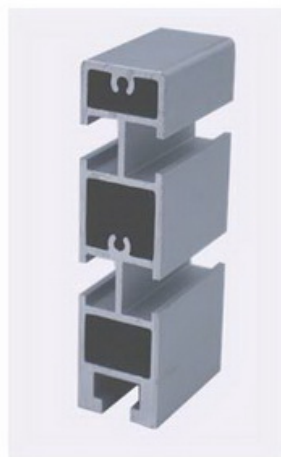
🚚 Delivery = 1-2 Days

Part number	Dimension (mm)			Material
	d	D	t	
WM5	5.3	10.0	1.0	SPCC / Stainless
WM6	6.4	12.5	1.6	
WM8	8.4	15.5		

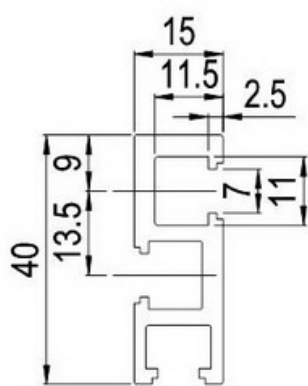
● XC-1434-4850



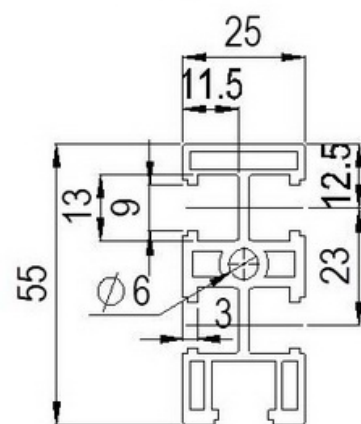
● XC-2390-6000



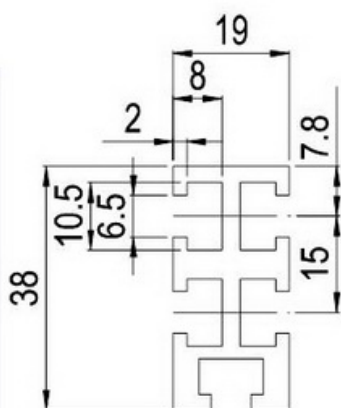
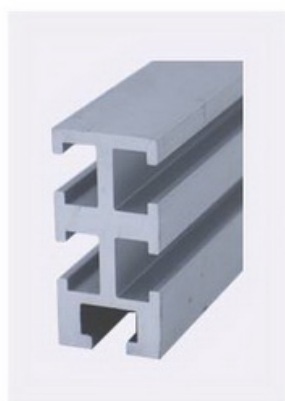
● XC-1540-6000



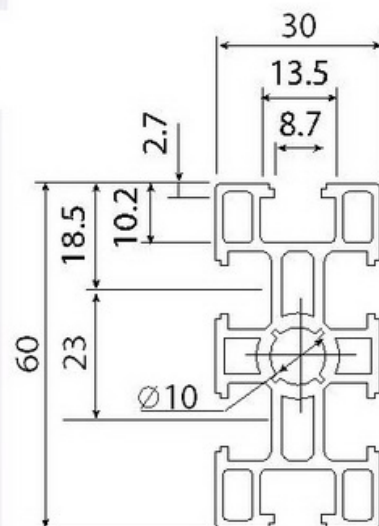
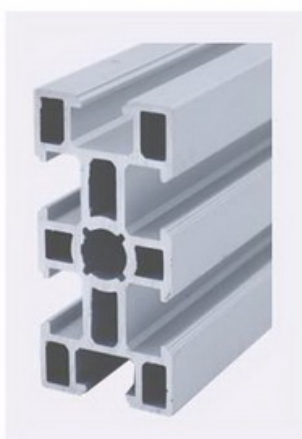
● XC-2555-6000



● XC-1938-6000



● XC-3060-6000



■ Specified Length Frame

Part number	Length max (mm)	Material	Surface
XC-1434-4850	4850-6000	A6063-T5	Clear Anodize
XC-1540-6000			
XC-1938-6000			
XC-2390-6000			
XC-2555-6000			

☎ Order Example

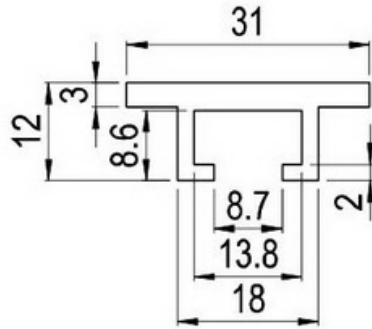
Part Number	-	L
XC-1540	-	4000

🚚 Delivery

No Cutting Length = 1 Day
Cutting Length = 2 Days

XC-1231-6000 (Side Guide Rail)

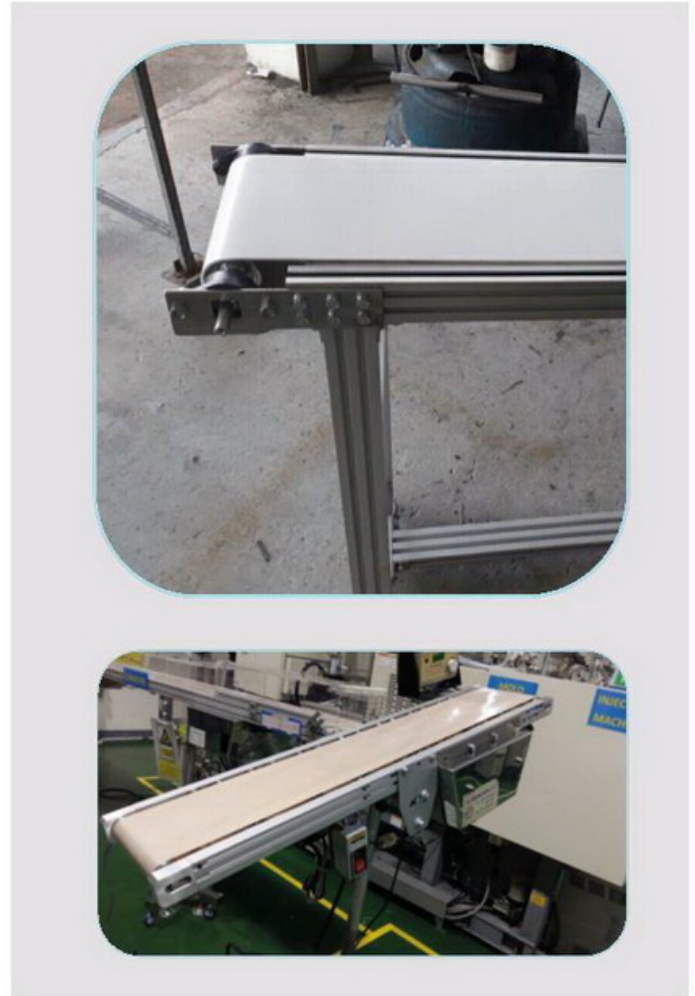
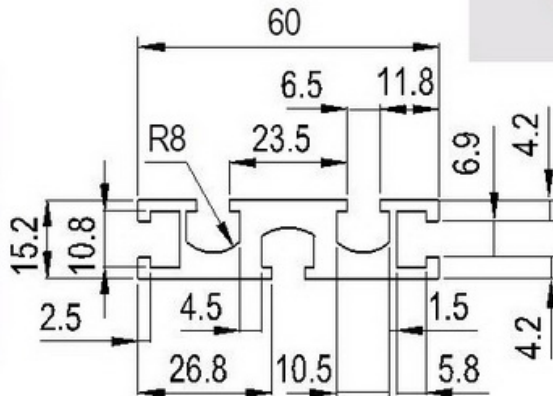
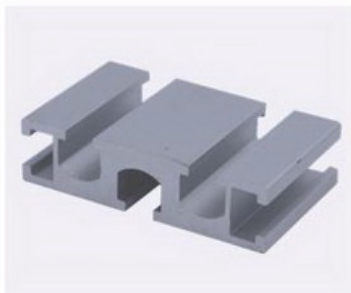
ตัวอย่างการใช้งาน



PE-1231-6000 (PE for Side Guide Rail)



XC-1560-6000



Specified Length Frame

Part number	Length max (mm)	Material	Surface
XC-1231-6000	6000	A6063-T5	Clear Anodize
PE-1231-6000			
XC-1560-6000			

Order Example

Part Number	-	L
XC-1231	-	6000

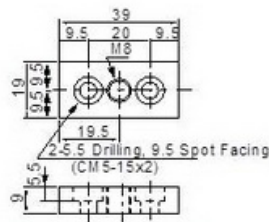
Delivery

No Cutting Length = 1 Day
Cutting Length = 2 Days

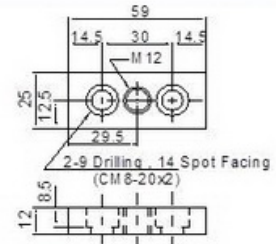
● แผ่นยึดขาตั้ง 2 รู Foot Base 2 Hole



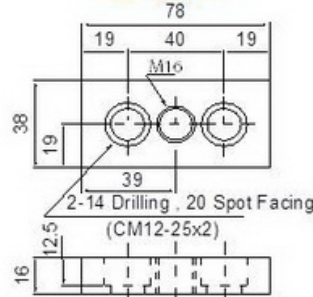
รวมน็อตตัวผู้ 2 ตัว



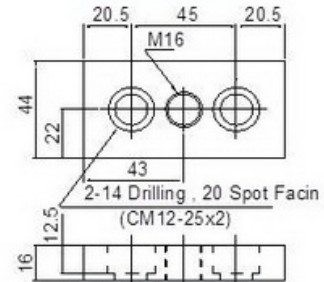
FB-2040T



FB-3060T



FB-4080T

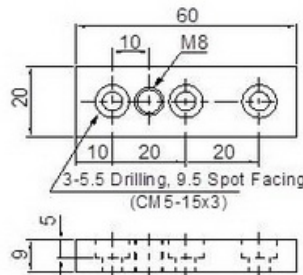


FB-4590T

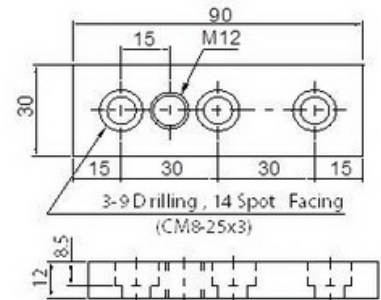
● แผ่นยึดขาตั้ง 3 รู Foot Base 3 Hole



รวมน็อตตัวผู้ 3 ตัว

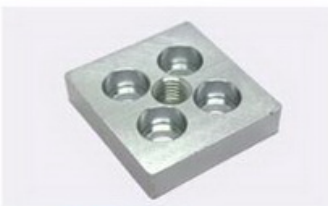


FB-2060T

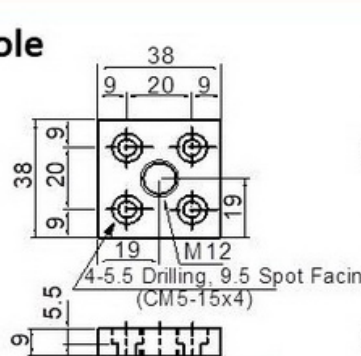
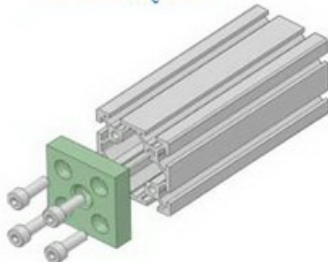


FB-3090T

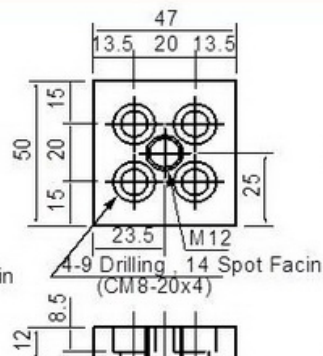
● แผ่นยึดขาตั้ง 4 รู Foot Base 4 Hole



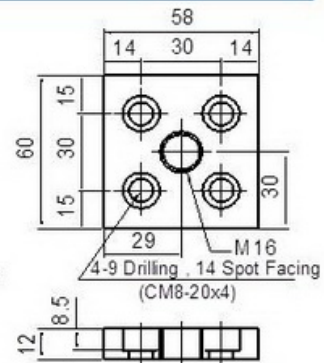
รวมน็อตตัวผู้ 4 ตัว



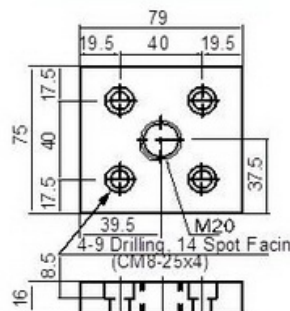
FB-4040T-2S



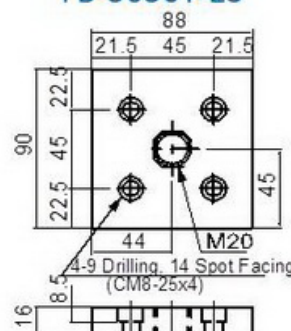
FB-5050T-2S



FB-6060T-2S



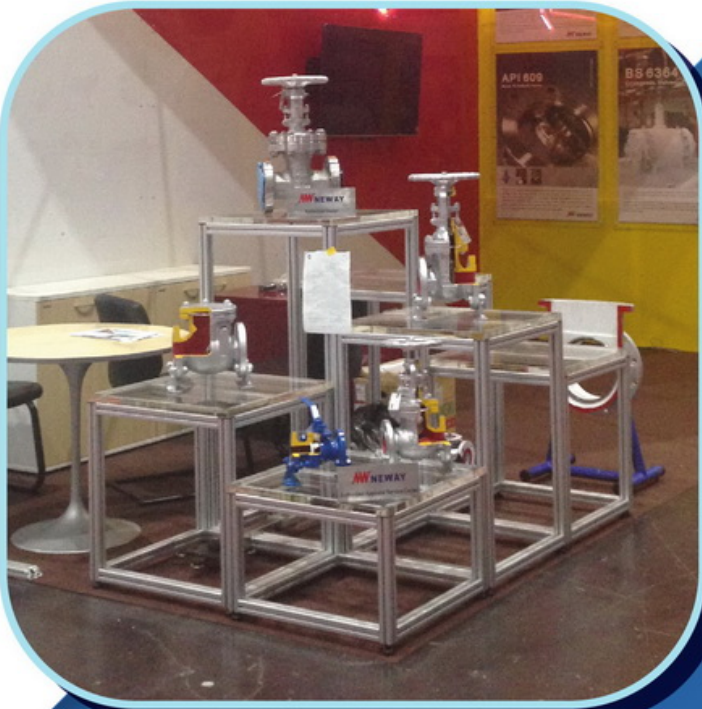
FB-8080T



FB-9090T

☎ Order Example
FB-6060T-2S

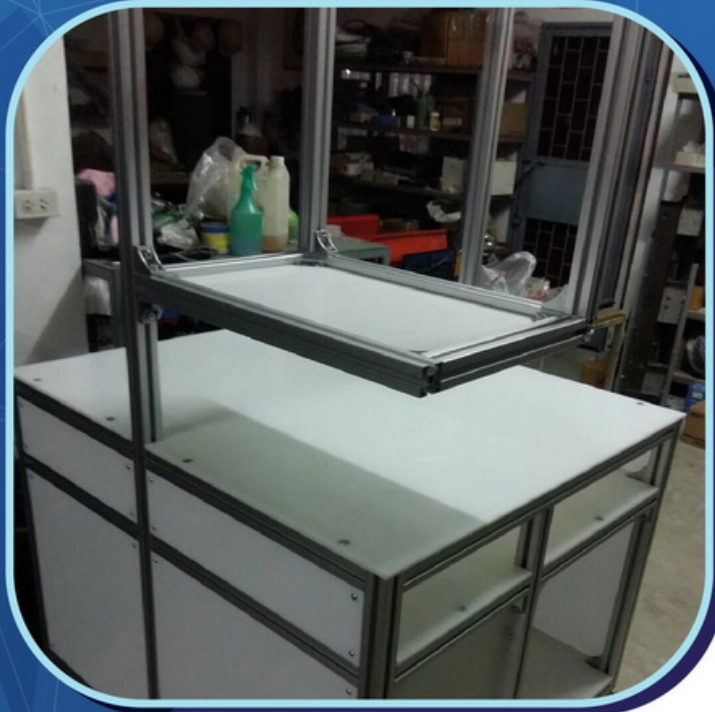
🚚 Delivery = 2-3 Days



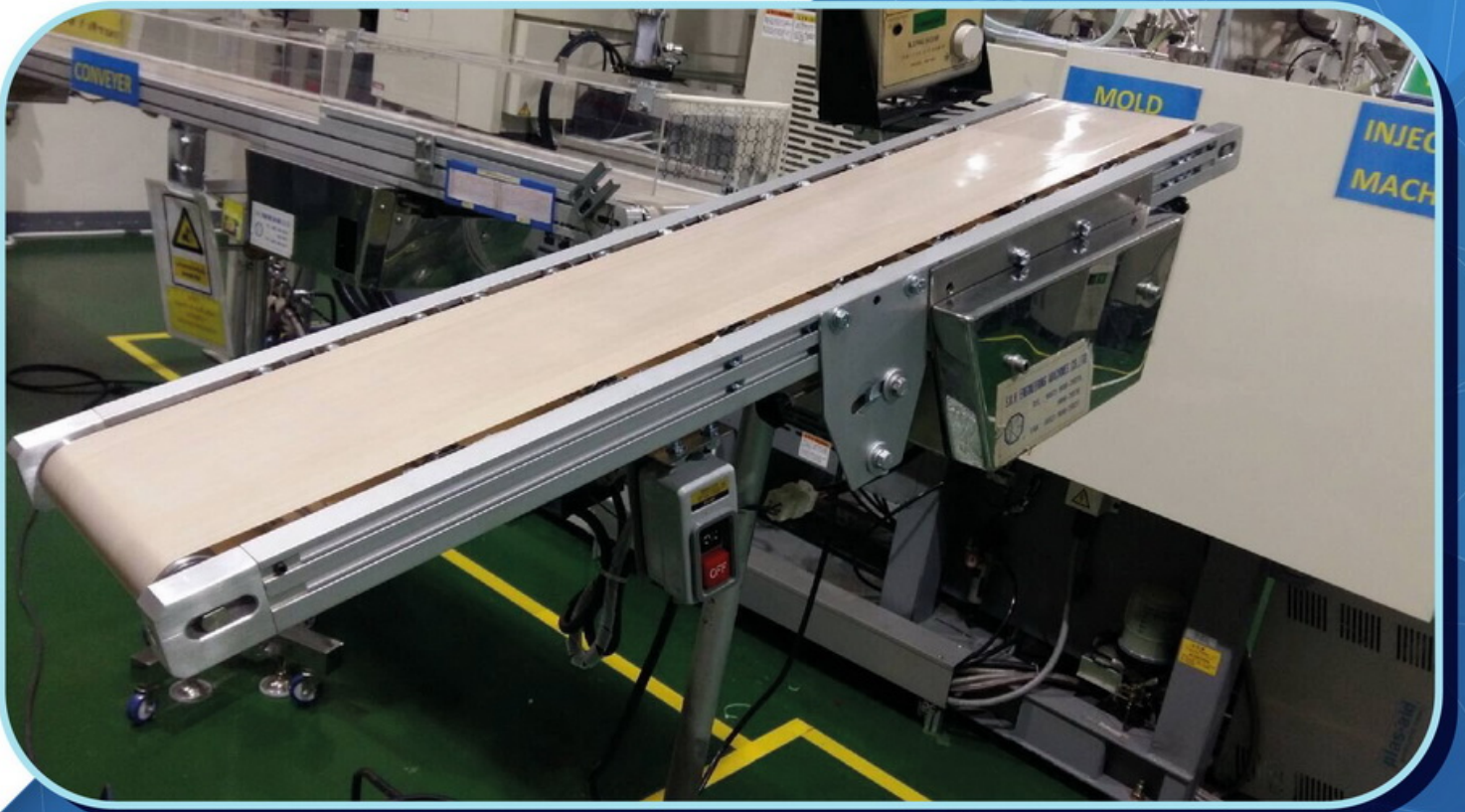














THE PEARL CORPORATION CO.,LTD. บริษัท เดอะ เพิร์ล คอร์ปอเรชั่น จำกัด

สำนักงานใหญ่

61/512 หมู่บ้าน โรยัล ปาร์ค วิลล์
หมู่ที่ 2 แขวงลำผักชี เขตหนองจอก
กรุงเทพมหานคร 10530

สาขา ชลบุรี

130/22 หมู่บ้าน เดอะเพอร์เฟค ฟีด
หมู่ที่ 5 ตำบลเหมือง อำเภอมืองชลบุรี
จังหวัดชลบุรี 20130



+66 (0)97-139-9077 +66 (0)33-098-845 FAX +66 (0)33-098-846

sales@thepearlcorp.com www.thepearlcorp.com